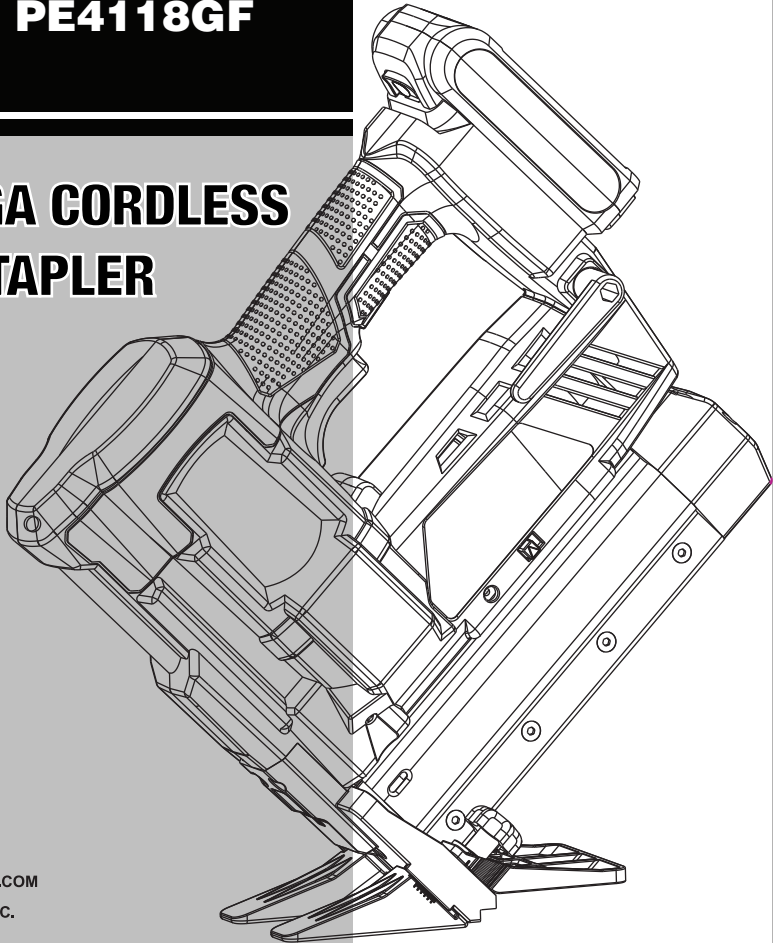


FREEMAN

MODEL: PE4118GF

4-IN-1 18 GA CORDLESS NAILER / STAPLER



- [HTTP://WWW.FREEMANTOOLS.COM](http://www.freemantools.com)
- 1-888-669-5672
- PRIME GLOBAL PRODUCTS, INC.



WARNING:

Failure to follow warnings could result in DEATH OR SERIOUS INJURY.

SYMBOLS	3
GENERAL SAFETY INSTRUCTIONS	3 - 5
UNPACKING	6
SPECIFICATIONS	6
FEATURES	6
OPERATION	6 - 11
USING BELT HOOK	6
LOADING FASTENERS	7
UNLOADING FASTENERS	8
DEPTH OF DRIVE	8
SETTING TOOL FIRING SETTINGS	8 - 9
WORK CONTACT ELEMENT	9
NO-MAR PAD	9
CHANGE THE NOSE COVER	9 - 10
ADJUST THE FLOORING PLATE	10
CLEARING JAMS	10
REMOVING BATTERY	11
CHARGING BATTERY	11
CHARGING A HOT BATTERY PACK	11
BATTERIES	11
BATTERY PACK REMOVAL AND RECYCLING	11
MAINTENANCE	11 - 12
TROUBLESHOOTING	12 - 13
WARRANTIES	14

 **WARNING**



The warnings and precautions discussed in this manual cannot cover all possible conditions and situations that may occur. Please be aware of the potential hazards, and take all necessary precautions to avoid risk of injuries.

 **SAVE THIS MANUAL**

To avoid serious personal injury, do not attempt to use this product until you read the manual thoroughly and understand it completely. Save this manual and review frequently for safe operation and instructing others who may use this tool. Keep this manual for the safety warnings, precautions, operations, inspections and maintenance information. Store this manual and the receipt in a safe and dry place for future reference.


SYMBOLS

- In this manual, on the labels, packages and all other information provided with this tool, the following signal words and meanings are intended to explain the levels of risk associated with this tool.

SYMBOLS	SIGNAL	MEANING
	WARNING:	Indicates a potentially hazardous situation, which, if not avoided, could result in death or serious injury.
	CAUTION:	Indicates a potentially hazardous situation, which, if not avoided, may result in minor or moderate injury.
	CAUTION:	(Without symbol) Indicates a situation that may result in property damage.

GENERAL SAFETY INSTRUCTIONS

CALIFORNIA PROPOSITION 65

 **WARNING:**
 This product can expose you to chemicals including lead, which is known to the State of California to cause cancer and other birth defects or other reproductive harm. For more information go to www.P65Warnings.ca.gov.

WORK AREA

- **Keep the work area clean and well lit.** Cluttered benches and dark areas increase the risk of accidents.
- **Do not operate the tool in explosive atmospheres, such as in the presence of flammable liquids, gases or dust.** The tool could create a spark which may ignite flammable liquids, gases or dust.
- **Keep bystanders, children, and others away while operating the tool.** Distractions could result in improper use and cause injury.
- **Keep proper footing and balance at all times.** Proper footing and balance enables better control of the tool in unexpected situations.
- **Do not use on a ladder or unstable supports.** Stable footing on a solid surface enables better control of the tool in unexpected situations.

PERSONAL SAFETY

- **Always wear eye protection.** Operator and others in the work area should always wear ANSI-Z87.1 approved safety goggles with side shields. Eye protection is used to guard against flying debris, which may cause severe eye injury.

- **Always wear ANSI S3.19 approved hearing protection when using the tool.** Prolonged exposure to high intensity noise may cause hearing loss.
- **Dress properly. Do not wear loose clothing or jewelry.** Keep your hair, clothing, and gloves away from moving parts. Loose clothes, jewelry, or long hair can be caught in moving parts.
- **Stay alert.** Do not use tool while tired or under the influence of drugs, alcohol, or medication. A moment of inattention while operating the tool may cause serious injury.
- **Avoid prolonged use.** The tool's repetitive motion and vibration can cause harm to your hands or arms. The user can use gloves for extra cushion, take frequent breaks and limit daily use to prevent this issue.
- **This tool vibrates with use. Continuous operation can be harmful to your hands and arms.** Stop using the tool if you feel tingling or pain. Resume work after recovery. Seek medical advice if serious symptoms occur.
- **Make sure there are no hidden electrical cables, gas pipes, etc. while working on the work piece.** These hazards could harm the user if damaged while using this tool.
- **Never place hands or any other body parts in the fastener discharge area of the tool. The tool might eject a fastener and could result in death or serious personal injury.**
- **For overhead work, wear a safety helmet.**
- **Wash hands after handling this product or its power cord. They may contain chemicals known to the State of California to cause cancer and birth defects or other reproductive harm.**

ELECTRICAL SAFETY

- **The chargers power plug must match the outlet.** Never modify the plug or plug the tool into outlets that do not match the plug.
- **Avoid contact with grounded elements such as metal tables, pipes, ranges or refrigerators.** Contact with these elements can put you at risk of electrical shock.

- When operating the tool keep tool away from wet conditions. Wet tools can cause electrical shock.
- Always inspect electrical cord for damage before and after use. A damaged cord can cause electrical shock.
- If you are operating the tool outside use a extension cord that is rated for outdoor use.
- If the user must use the tool in damp conditions, use a ground fault circuit interrupter (GFCI).

TOOL USE AND CARE

- Know this tool. Read this manual carefully, learn its applications and limitations, as well as the specific potential hazards related to this tool.
- Only use fasteners that are recommended for your tool model by the manufacturer. Do not use the wrong fasteners or load them incorrectly, as this can cause jams or damage to the tool.
- When you are able to, secure work pieces to a stable platform using clamps or other tools.
- Always have a firm footing and grip on the tool to counteract any force that may be enacted during the operation of the tool.
- Practice safe working practices and ensure all relevant legal requirements are being followed when using this tool.
- Never point the tool at the user or others in the work area. This could cause serious injury.
- The tool should not be forced, use the correct tool for your application. The correct tool will do the job better and safer at the rate for which the tool is being used.
- Before making adjustments, changing accessories, or storing the tool disconnect the tool from the battery. This will reduce the risk of injury from the power tool.
- Remove any adjustment wrenches or keys before activating the tool. Leaving adjustment accessories on the moving parts on the tool will increase the risk of injury.
- Check for misalignment or binding of moving parts, breakage of parts and any other condition that may affect the tool's operation. If damaged, have the tool serviced before using. Many accidents are caused by poorly maintained tools.
- Maintain tool with care. A properly maintained tool will function more smoothly and prevent binding, making it easier to use.
- Check operation of the tool before use. Do not use the tool if the workpiece contact mechanism is not working correctly as accidental driving of a fastener may occur.
- Never use this tool in a manner that could cause a fastener to be directed toward anything other than the workpiece.

- Do not remove, tamper with, or otherwise cause the trigger to lock or trigger to become inoperable. Do not operate any tool which has been modified in a like fashion. Death or serious personal injury could result.
- Always assume the tool contains fasteners. Respect the tool; no horseplay.
- Avoid using the tool when the magazine is empty. Accelerated wear on the tool may occur.
- Store the tool away from children or untrained persons when not in use. The tool can be dangerous when used by untrained persons.
- Do not use the tool for anything other than its intended use.
- Do not use the tool if the trigger does not actuate properly. Any tool that cannot be controlled with the trigger is dangerous and must be repaired.
- Keep the tool and its handle dry, clean and free of oil and grease. Always use a clean cloth when cleaning. Never use brake fluids, gasoline, petroleum-based products, or any strong solvents to clean your tool.
- Never use gasoline or other flammable liquids to clean the tool. Never use the tool in the presence of flammable liquids or gases. Vapors could ignite by a spark and cause an explosion which will result in death or serious injury.
- Do not use the tool as a hammer.
- Never press the trigger of the tool when it is not intended to be used.
- Do not drop or throw the tool. Dropping or throwing the tool can result in damage that will make the tool unusable or unsafe. If the tool has been dropped or thrown, examine the tool closely for bent, cracked or broken parts. STOP and repair before using or serious injury could occur.
- Do not operate the tool if it does not contain a legible warning label.

BATTERY AND CHARGER USE AND CARE

- Only use batteries that are recommended for this tool by the manufacturer. Use of any other battery may cause risk of injury or fire.
- When the battery is not in use, keep it away from metal objects that could connect one terminal to another. If the terminals are connected the battery could cause fire or burns.
- Keep the battery free of abusive situations, if a battery is damaged it can eject battery liquid. If you come in contact with the battery liquid flush the contact area with water. If your eye comes in contact with the battery liquid flush with water and seek medical help. Battery liquid can cause irritation or burns.

- Do not store batteries in areas that can reach or exceed 105°F (such as outside sheds or metal buildings in the summer).
- Only charge the battery with a charger recommended by the manufacturer. Use of any other charger may cause risk of injury or fire.
- Do not use chargers for anything other than charging manufacturer recommended batteries, otherwise electric shock could occur.
- Do not expose the charger to rain or snow.
- Make sure the charger's cord is located in an area where it will not be damaged.
- Extension cords should not be used unless absolutely necessary. Improper use of an extension cord can result in electric shock.
- Do not place an object on top of the charger. This could block ventilation slots and cause excessive internal heat.
- Do not use the charger if it has been subjected to a hard blow, has been dropped, or damaged otherwise. Take the charger to an authorized repair center.
- Do not disassemble the charger. If the charger needs to be repaired take it to an authorized repair center.
- Before cleaning the charger make sure to unplug it from any power source. This will reduce the risk of an electrical shock.
- Never connect two chargers together.

⚠ WARNING:
Do not open the battery for any reason. If the battery is damaged or cracked do not insert it into the charger. Electric shock can be caused by a damaged battery. Be sure to dispose of all batteries at a service center for recycling.

⚠ WARNING:
Do not burn batteries or expose them to extreme heat. This could cause the battery to explode.

⚠ WARNING:
Do not allow liquid to get into the charger, electric shock could result.

⚠ WARNING:
Electrocution hazard. Do not touch or allow conductive objects to touch the charging terminals. Electric shock or electrocution could occur.

TOOL SERVICE

- Only use accessories that are identified by the manufacturer for the specific tool model.
- Use of unauthorized parts or failure to follow maintenance instructions may create a risk of injury.
- Tool service must only be performed by a qualified repair personnel.

OPERATION

- Do not drive fasteners near the edge of the material. The workpiece may split causing the fastener to ricochet, injuring you or people in the work area.
- Do not carry the tool from place to place while holding the trigger. Accidental discharge could result.
- During normal use the tool will recoil immediately after driving a fastener. This is a normal function of the tool. Do not attempt to prevent the recoil by holding the tool against the work. Restriction to the recoil can result in a second fastener being driven from the tool. Grip the handle firmly and let the tool do the work. Failure to heed this warning can result in serious personal injury.
- Do not drive fasteners on top of other fasteners or with the tool at an overly steep angle as this may cause deflection of fasteners which could cause injury.
- Do not actuate the tool unless you intend to drive a fastener into the workpiece.
- Always handle the tool with care:
 - ◆ Respect the tool as a working implement.
 - ◆ Never engage in horseplay.
 - ◆ Never pull the trigger unless nose is directed toward the workpiece.
 - ◆ Keep others at a safe distance from the tool while tool is in operation as accidental actuation may occur, possibly causing injury.

UNPACKING

- This tool has been shipped completely assembled.
- Carefully remove the tool and any accessories from the box.
- Inspect the tool carefully to make sure no breakage or damage occurred during shipping.
- Do not discard the packing material until you have carefully inspected and satisfactorily operated the tool.
- If any parts are damaged or missing, please call 1-888-669-5672.

▲ WARNING:

If any parts are missing do not operate this tool until the missing parts are replaced. Failure to do so could result in serious personal injury.

▲ WARNING:

Do not attempt to modify this tool or create accessories not recommended for use with this tool. Any such alteration or modification is misuse and could result in hazardous conditions leading to possible serious personal injury.

SPECIFICATIONS

BATTERY CHARGE	100V-240V, 50/60Hz
INPUT VOLTAGE	20V, 36Wh
FIRING SPEED	30 nails/staples per minute
MAGAZINE CAPACITY	100 nails/staples
SHOTS PER CHARGE	400
CHARGE TIME	30 min
WEIGHT	6.88 lbs
FASTENER TYPE	18 GA Brad Nails & 18 GA 1/4" Narrow Crown Staples
FASTENER LENGTH	Nails: 3/4" - 2" Staples: 3/4" - 1 5/8"

FEATURES

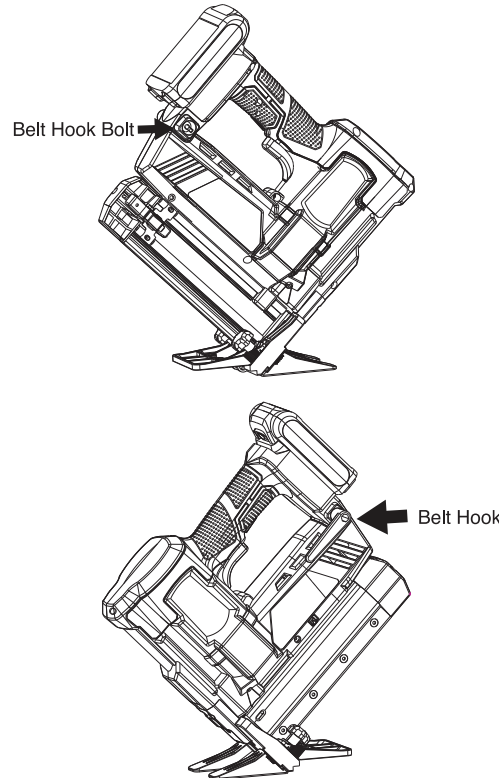
- **HIGH POWER TECHNOLOGY**
Provides fast firing speeds.
- **ERGONOMIC HANDLE**
For comfortable use and decreased slipping.

- **LED LIGHT INDICATOR**
To warn user of nail jams, low battery, empty magazine and overheating.
- **LED WORKING LIGHT**
Helps to illuminate the working surface.
- **EASY ACCESS NOSE**
For clearing jams.
- **DEPTH ADJUSTMENT WHEEL**
To control driving depth of fastener.
- **SELECT FIRE SWITCH**
For quick selection of bump/single firing mode.
- **BELT HOOK**
- **LITHIUM ION BATTERY**
- **45° FLOORING ATTACHMENT**

OPERATION

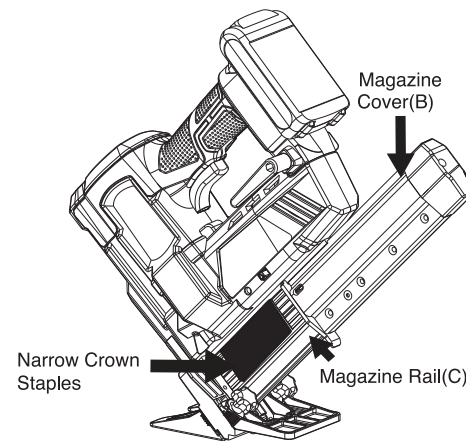
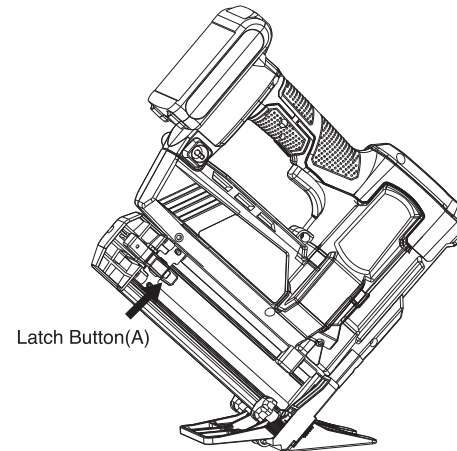
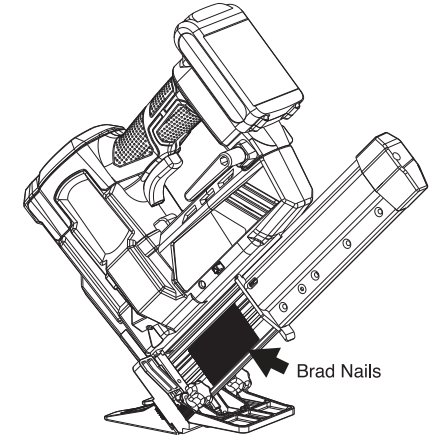
USING BELT HOOK

1. Use a screw driver to loosen the belt hook bolt by rotating the bolt in a counter clockwise direction.
2. Rotate the belt hook to the desired position.
3. Use the screw driver to tighten the belt hook bolt and lock the belt hook into position.



LOADING FASTENERS

1. Push down on the latch button(A). Pull back on the magazine cover(B).
2. Insert a stick of fasteners into the magazine rail(C).
 - ◆ For brad nails, the pointed ends of the fasteners are resting on the bottom edge of the magazine when loading.
 - ◆ For staples, the head of the staples are resting on the top of the magazine.
3. Push the magazine cover(B) forward until the latch button pops up.



▲ WARNING:

The tool may fire when it is first connected to the power source. Always disconnect the tool to the power source before loading fasteners to prevent injury from unintended cycling. Always make sure the tool's magazine is empty at the beginning of each work session, before connecting to the power source.

▲ WARNING:

Only use fasteners that are recommended for use with this tool by the manufacturer. Fasteners not identified for use with this tool by the tool's manufacturer could result in a risk to persons or tool damage when used in this tool.

▲ WARNING:

Keep the tool pointed away from yourself and others when loading fasteners. Failure to do so could result in serious personal injury.

▲ WARNING:

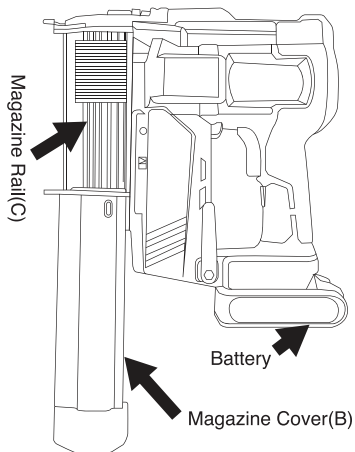
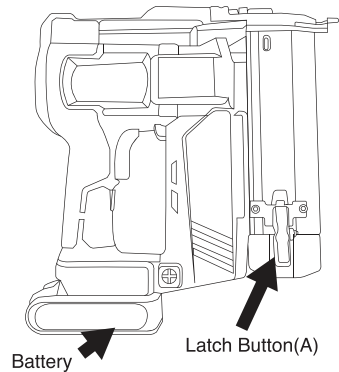
Never load fasteners with the workpiece contact or trigger activated. Doing so could result in possible serious personal injury.

▲ WARNING:

Never load fasteners with the workpiece contact or trigger activated. Doing so could result in possible serious personal injury.

UNLOADING FASTENERS

1. Remove Battery.
2. Push down on the latch button(A). Pull back on the magazine cover(B).
3. Remove all fasteners from the magazine rail(C).
4. Push the magazine cover(B) forward until the latch button pops up.



▲ WARNING:

Always unload all fasteners before removing the tool from service.

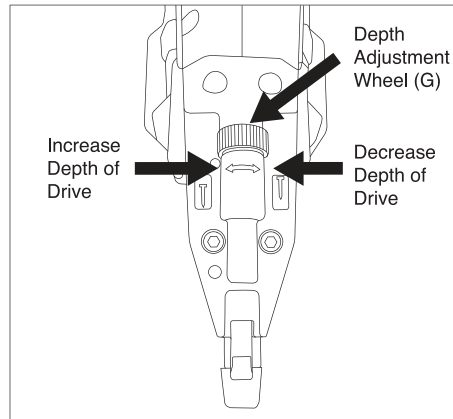
▲ WARNING:

Always disconnect the power source before unloading.

DEPTH OF DRIVE

The driving depth of the fasteners is adjustable.* To adjust the depth, use the drive depth adjustment wheel(G) on the top of the tools nose.

1. Rotate the depth adjustment wheel in a clockwise direction when the nose of the tool is pointed away from you to increase the fastener depth of drive.
2. Rotate the depth adjustment wheel in a counter-clockwise direction when the nose of the tool is pointed away from you to decrease the depth of drive.



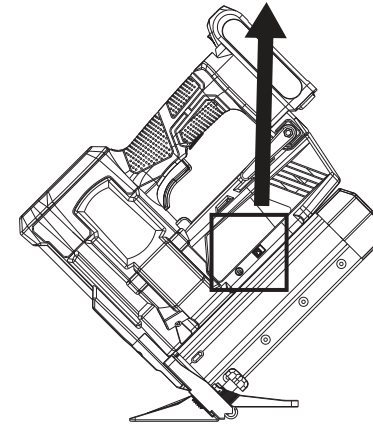
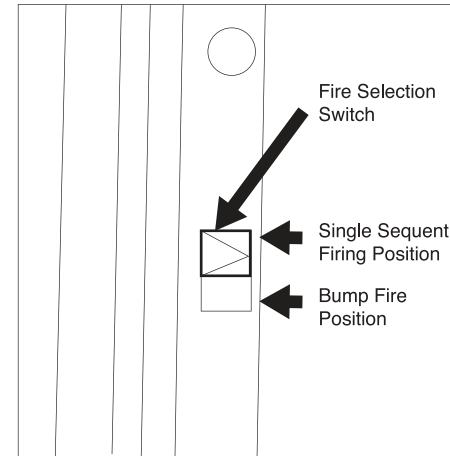
* Depth of Drive is only available with the straight nose piece.

▲ CAUTION:

It is advisable to test the depth of drive on a scrap workpiece to determine the required depth for the application.

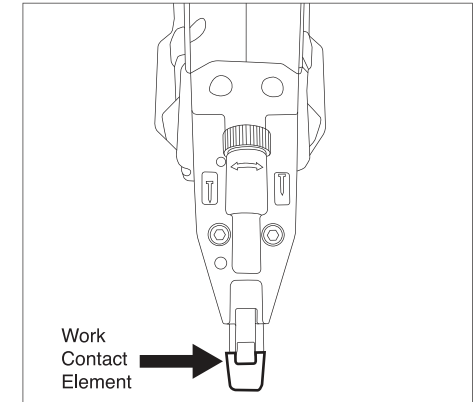
SETTING TOOL FIRING SETTINGS

1. Push the fire selection switch up to select single sequential fire. This mode requires the trigger to be pulled each time a fastener is driven. The tool can be actuated by depressing the work contact element against the work surface after pulling the trigger.
2. Push the fire selection switch down to select bump fire. This will enable you to fire a shot by holding down the trigger and pressing the nose of the gun down on the work piece as many times as is necessary.



WORK CONTACT ELEMENT

Check the operation of the work contact element trip mechanism before each use. The WCE must move freely without binding through its entire travel distance. The WCE spring must return the WCE to its fully extended position after being depressed. Do not operate the tool if the WCE trip mechanism is not operating properly. Personal injury may occur.



* Work Contact Element is only available with the straight nose piece.

NO-MAR PAD

The no-mar pad attached to the nose of the tool helps to prevent marring and denting when working with softer woods.

* No-Mar Pad is only available with the straight nose piece.

▲ WARNING:

Disconnect the tool from the battery before removing or replacing the no-mar pad. Failure to do so could result in serious personal injury.

▲ WARNING:

Always know the operational mode of the tool before use. Failure to know the operational mode could result in death or serious personal injury.

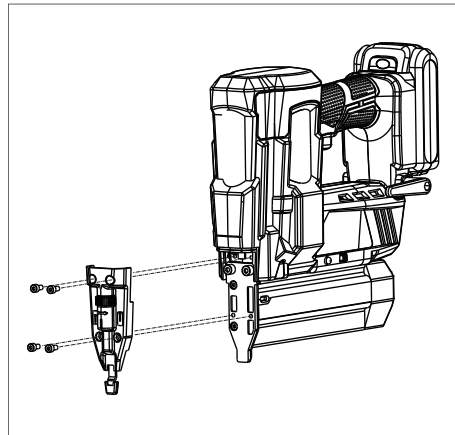
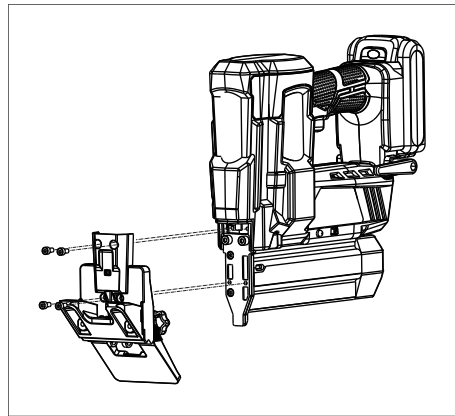
▲ WARNING:

An improperly functioning tool must not be used. Do not actuate the tool unless the tool is placed firmly against the work place.

CHANGE THE NOSE COVER

The tool is packed with another regular nose cover with which the nailer can be changed to be regular brad nailer/stapler.

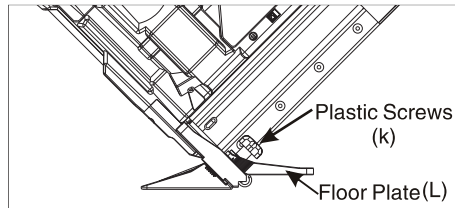
1. Remove Battery.
2. Remove fasteners from the tool. Failure to do so will cause the fasteners to eject from the front of the tool.
3. Remove four bolts on the nose of the tool.
4. Remove the 45° flooring attachment.
5. Attach the straight nose piece by screwing in four bolts on the nose of the tool.



ADJUST THE FLOORING PLATE

When the flooring nose cover set on the nailer, the floor plate depth is adjustable for 3/8", 5/8" and 1/2" thickness floor wood. To adjust the floor plate depth, please follow the steps as listed below:

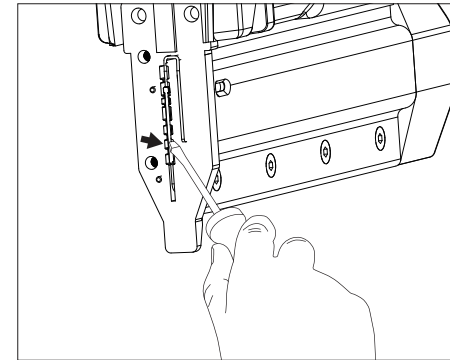
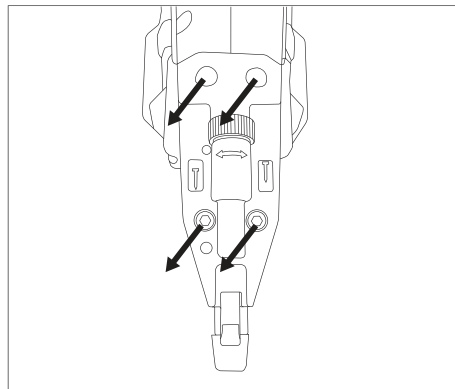
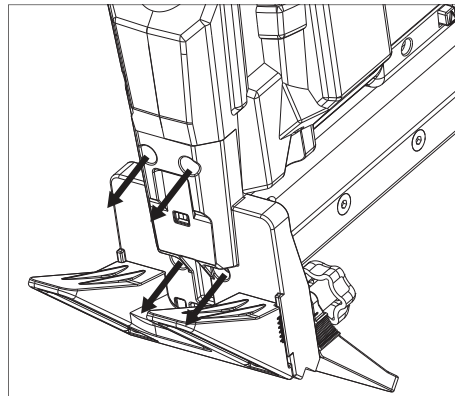
1. Remove Battery.
2. Loose the plastic screw (K) on both sides of the flooring plate (L).
3. Slide the floor plate up or down to suit your flooring application.
4. Fasten the plastic screws tightly.
5. Ensure the correct depth set for the wood floor by firing into a scrap piece of flooring and checking for proper fastener placement.



CLEARING JAMS

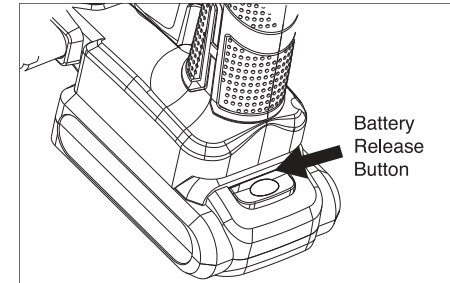
Occasionally, a fastener may become jammed in the firing mechanism of the tool, making the tool inoperable. To remove a jammed fastener, follow the steps below:

1. Disconnect the battery from the tool.
2. Remove fasteners from the magazine.
3. Remove the four bolts on nose cover or 45° flooring attachment with a hex wrench.
4. Use a flat screw driver to remove the jammed fastener and push the drive blade back into place.



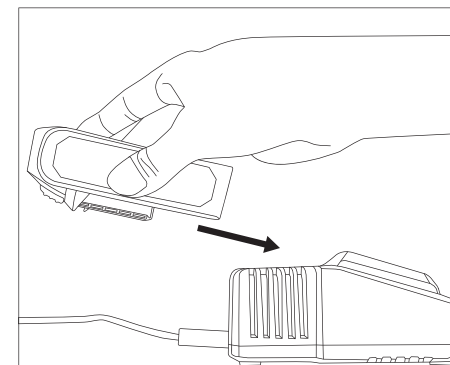
REMOVING BATTERY

1. Press battery release button.
2. Pull battery free of the nailer/stapler body.



CHARGING BATTERY

1. To charge the battery line up the slot of the battery with the slot of the charger and slide into place.
2. The battery indication light should turn from green to red when the battery is charging.
3. When the indication light has turned green the battery should be fully charged.



CHARGING A HOT BATTERY PACK

After a tool has been used for a prolong amount of time the batteries in the battery pack will become hot. This only occurs when the tool has been used continuously for an extended period of time. When the battery becomes hot let it cool for 30 minutes before recharging. Refer to the **CHARGING BATTERY** section for normal charging of batteries. If the charger does not charge your battery under normal circumstances, contact the authorized dealer.

BATTERIES

These batteries will wear out over time, like all batteries. If this happens do not disassemble the battery and attempt to fix it. This could cause serious burns especially when wearing rings and jewelry. To have the longest possible battery life, we suggest the following.

- ◆ Once a battery pack has been fully charged remove it from the charger
- ◆ The battery should be stored in a temperature that is below 80°F and away from moisture
- ◆ Batteries should be stored with a 30%-50% charge
- ◆ If a battery has been stored for six months or more charge the battery as normal

BATTERY PACK REMOVAL AND RECYCLING



Please recycle all worn batteries. This battery contains lithium-ion batteries. Local and state regulations may prohibit disposal of lithium-ion batteries in ordinary trash. Consult your local waste authority for information regarding available recycling and/or options.

MAINTENANCE

▲ WARNING:

Any time inspection, maintenance, and cleaning are done be sure to remove the battery from the tool and empty all fasteners from the magazine.

CLEANING THE NAIL CHANNEL

Problems with driving nails or cycling of nails while firing may be due to glue residue from the nail strips. If this is the case clean the area around the driving mechanism.

- Remove the tool battery.
- Slide magazine cover down to remove nails and expose the nail channel.
- Use a small amount of air tool oil on a clean cloth to swab and wipe down the nail channel, until all traces of glue are removed.
- Reinstall nails in the magazine and close the magazine cover.

COLD WEATHER OPERATION

When you are operating the tool in below freezing environments:

1. Before using the tool be sure to keep it as warm as possible
2. Fire the tool into a scrap piece of material 5 to 6 times.

CLEANING

Avoid using solvents when cleaning plastic parts. Most plastics are susceptible to damage from various types of commercial solvents and maybe damaged by their use. Use clean cloths to remove dirt, dust , oil, grease, etc.

TROUBLESHOOTING

▲ WARNING:

Stop using tool immediately if any of the following problems occur. Serious personal injury could result. Any repairs or replacements must be done by a qualified service person or an authorized service center.

PROBLEM	POSSIBLE CAUSE(S)	CORRECTIVE ACTIONS
Tool doesn't turn on (LED lights do not turn on).	<ul style="list-style-type: none"> ● The internal electronics of the tool have not reset. ● The battery is low or not charged. ● The battery is damaged. ● The work contact element is locked into position. ● The battery terminals are dirty. ● Damaged internal electronics. 	<ul style="list-style-type: none"> ● Remove the battery from the tool, wait 3 seconds and reinsert. ● Charge the battery. ● Replace the battery. ● Unlock the work contact element. ● Clean the battery terminals. ● See authorized service center.
Tool doesn't actuate (LED lights do turn on).	<ul style="list-style-type: none"> ● Work contact element is not depressed. ● Work contact element is jammed. ● Damaged electronics. 	<ul style="list-style-type: none"> ● If the tool is set in the single fire setting, release the trigger or work contact element Then try refiring the tool. ● Unlock the work contact element. ● See authorized service center.
Tool does not actuate (LED light is red).	<ul style="list-style-type: none"> ● The battery charge is low. ● The battery is to hot. 	<ul style="list-style-type: none"> ● Charge or replace battery. ● Let the tool cool down.
Tool operates, but no fastener is driven.	<ul style="list-style-type: none"> ● A fastener is jammed in the tool. ● No nails in the magazine. ● Incorrect fastener has been loaded. ● Debris in nose piece. ● Debris in magazine. ● Worn magazine or drive blade. 	<ul style="list-style-type: none"> ● Remove the battery from the tool and clear the jam from the gun. Then push the drive blade back and reinsert the battery. ● Load more fasteners in the magazine. ● Insert the fasteners recommended by the manufacturer. ● Clean the nose piece with pneumatic air tool oil and a clean cloth. ● Clean the magazine with pneumatic air tool oil and a clean cloth. ● See authorized service center.

PROBLEM	POSSIBLE CAUSE(S)	CORRECTIVE ACTIONS
Tool operates, but does not drive the fastener fully.	<ul style="list-style-type: none"> ● The battery has a low charge or is damaged. ● The depth adjust is set too shallow. ● Tool is not press firmly against the workpiece. ● Material and fastener length is too rigorous on the tool. 	<ul style="list-style-type: none"> ● Charge or replace the battery. ● Rotate the depth adjust towards the deeper setting. ● Press down more firmly on the workpiece. ● Choose a more appropriate material and fastener for your application.
Jammed fastener	<ul style="list-style-type: none"> ● The incorrect fastener is loaded in the tool ● Low battery charge or damaged battery ● Debris is in nose piece ● Debris is in magazine ● Worn magazine ● Worn or damaged pusher spring 	<ul style="list-style-type: none"> ● Load fasteners recommended by the manufacturer ● Charge or replace battery ● Clean the nose piece with pneumatic air tool oil and a clean cloth ● Clean the magazine with pneumatic air tool oil and a clean cloth ● See authorized service center ● See authorized service center

▲ WARNING:

Only use Freeman Authorized Repair Parts. For questions please call 1-888-669-5672 or visit our website at <http://www.freemantools.com>

PGP INC. PRODUCT WARRANTIES

Professional 1-Year Limited Warranty

The Freeman Tool limited warranty extends exclusively to the original purchaser of the Freeman Product, begins on the date of purchase. During the warranty period Prime Global Products, Inc. (PGP) expressly warrants that the Freeman Product is free from defect in materials and workmanship subject to the exceptions and limitations contained herein. PGP shall at its option, repair, replace, or offer a full refund for a Freeman Product that has a defect in materials or workmanship.

A DATED SALES RECEIPT OR PROOF OF PURCHASE FROM THE ORIGINAL RETAIL PURCHASER IS REQUIRED TO MAKE A WARRANTY CLAIM. Warranty registration is also required and can be accomplished through On-Line Product Registration at www.primeglobalproducts.com, select SUPPORT, select PRODUCT REGISTRATION. To make a warranty claim, the original purchaser must return the Freeman Nail Gun, postage prepaid and insured, with proof of purchase to PGP or any of its authorized service centers. For questions please call 1-888-669-5672. Other than the postage and insurance requirement, no charge will be made for repairs covered by this warranty.

Warranty Exclusions

These Warranties do not apply where:

- Repairs or alterations have been made, or attempted, by others, and/or the unauthorized use of non-conforming parts or accessories.
- Repairs are required due to normal wear and tear.
- The Nail Gun has been abused, misused, improperly maintained or operated, including: the failure to use clean, dry, regulated compressed air at the recommended pressure; accidents caused by use of the Freeman Product after partial failure.
- The Freeman Product is used commercially in assembly lines or production lines. The Freeman Product is intended for use by individuals and these warranties do not extend to such commercial uses.

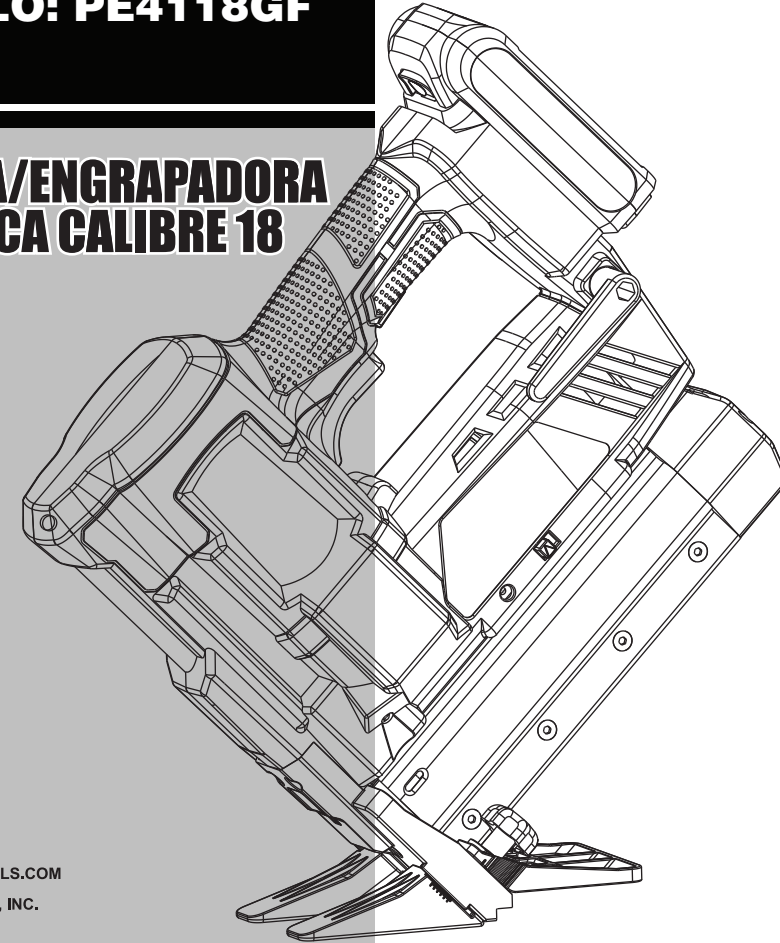
NO WARRANTY, ORAL OR WRITTEN, EXPRESSED OR IMPLIED, OTHER THAN THE ABOVE WARRANTIES IS MADE WITH REGARD TO THIS FREEMAN PRODUCT. ANY IMPLIED WARRANTIES WILL BE LIMITED IN DURATION TO THE APPLICABLE WARRANTY PERIOD SPECIFIED ABOVE. SOME STATES DO NOT ALLOW LIMITATIONS ON HOW LONG AN IMPLIED WARRANTY LASTS, SO THE ABOVE MAY NOT APPLY TO YOU. YOUR REMEDIES ARE SOLELY AND EXCLUSIVELY AS STATED ABOVE. PGP SHALL IN NO EVENT BE LIABLE FOR INCIDENTAL, CONSEQUENTIAL, INDIRECT, OR SPECIAL DAMAGES. SOME STATES DO NOT ALLOW THE EXCLUSION OR LIMITATION OF INCIDENTAL OR CONSEQUENTIAL DAMAGES, SO THE ABOVE LIMITATION OR EXCLUSION MAY NOT APPLY TO YOU. IN NO EVENT, WHETHER AS A RESULT OF A BREACH OF CONTRACT, WARRANTY, TORT (INCLUDING NEGLIGENCE) OR OTHERWISE, SHALL PGP'S LIABILITY EXCEED THE PRICE OF THE PRODUCT WHICH HAS GIVEN RISE TO THE CLAIM OR LIABILITY. ANY LIABILITY CONNECTED WITH THE USE OF THIS PRODUCT SHALL TERMINATE UPON THE EXPIRATION OF THE WARRANTY PERIOD SPECIFIED ABOVE. NO EMPLOYEE OR REPRESENTATION OF PGP, OR ANY DISTRIBUTOR OR DEALER IS AUTHORIZED TO MAKE ANY CHANGE OR MODIFICATION OF THIS WARRANTY.

These warranties give you specific legal rights. You may also have other rights which vary from state to state.

FREEMAN

MODELO: PE4118GF

CLAVADORA/ENGRAPADORA INALAMBRICA CALIBRE 18



- [HTTP://WWW.FREEMANTOOLS.COM](http://www.freemantools.com)
- 1-888-669-5672
- PRIME GLOBAL PRODUCTS, INC.



ADVERTENCIA:

No seguir las advertencias correctamente puede causar LA MUERTE O LESIONES GRAVES.

SÍMBOLOS	17
NORMAS GENERALES DE SEGURIDAD	17 - 20
DESEMPACAR	20
ESPECIFICACIONES	20
CARACTERÍSTICAS	20 - 21
OPERACIÓN	21 - 25
CÓMO USAR EL GANCHO PARA CINTURÓN	21
CÓMO CARGAR LOS SUJETADORES	21 - 22
CÓMO DESCARGAR LOS SUJETADORES	22
AJUSTE DE PROFUNDIDAD	22 - 23
CONFIGURACIÓN DE LOS AJUSTES DE DISPARO DE LA HERRAMIENTA	23
ELEMENTO DE CONTACTO DE TRABAJO (WCE)	23
ALMOHADILLA QUE NO RAYA	24
CAMBIE LA CUBIERTA DE LA PUNTA	24
REGULE LA PLACA PARA PISO	24
COMO RETIRAR SUJETADORES ATASCADOS	24 - 25
EXTRACCIÓN DE LA BATERÍA	25
CARGA DE LA BATERÍA	25
CÓMO CARGAR LA BATERÍA CUANDO ESTÁ CALIENTE	25
BATERÍAS	26
REMOCIÓN Y PREPARACIÓN DEL PAQUETE DE BATERÍAS PARA EL RECICLADO	26
MANTENIMIENTO	26
SOLUCIÓN DE PROBLEMAS	26 - 28
GARANTIAS	28



ADVERTENCIA:

Las advertencias y precauciones mencionadas en este manual no abarcan todas las condiciones y situaciones posibles. Es perfectamente comprensible que no podemos fabricar el sentido común y la precaución coma partes de ningún producto, el usuario es el responsable de obrar en consecuencia.



GUARDAR ESTE MANUAL

Guarda este manual para tener a mano las advertencias de seguridad, precauciones, operaciones, inspecciones y mantenimiento. Guarda este manual y el recibo en un lugar seguro y seco para consultarlo en el futuro.

SÍMBOLOS

- Símbolos en este manual, las etiquetas, envases y en toda la información provista con esta herramienta. Las siguientes palabras de aviso y significados tienen el objetivo de explicar los niveles de riesgo asociados con esta herramienta.

SÍMBOLOS	AVISO	SIGNIFICADO
	ADVERTENCIA:	Indica una situación potencialmente peligrosa que, deno evitarse, podría causar lamuerte o lesiones graves.
	PRECAUCIÓN:	Indica una situación potencialmente peligrosa que, deno evitarse, podría causar lamuerte o lesiones graves.
	PRECAUCIÓN:	(Sin símbolo) Indica una situación que puede resultar en daños a la propiedad.

NORMAS GENERALES DE SEGURIDAD

PROPOSICIÓN 65 DE CALIFORNIA

▲ ADVERTENCIA:

Este producto puede exponerlos a productos químicos, incluyendo plomo, que es conocido por el Estado de California como causante de cáncer y de defectos congénitos u otros daños reproductivos. Para obtener más información, visite www.P65Warnings.ca.gov.

ÁREA DE TRABAJO

- Mantenga el área de trabajo limpia y bien iluminada. Los bancos de trabajo desordenados y las áreas oscuras aumentan el riesgo de accidentes.
- No utilice la herramienta en atmósferas en las que exista riesgo de explosión, como por ejemplo en presencia de líquidos inflamables, gases o polvo. La herramienta produce una chispa que podría encender líquidos inflamables, gases o polvo.
- Mantenga a los transeúntes, niños y a otras personas alejadas cuando esté utilizando la herramienta. Las distracciones podrían resultar enel uso inapropiado y causar lesiones.
- Mantén siempre una posición firme y el equilibrio adecuado. Una posición firme y el equilibrio adecuado permiten controlar mejor la herramienta en situaciones inesperadas.
- No la utilices sobre una escalera de tijera o soportes inestables. Una posición estable sobre una superficie sólida permite un mejor control de la herramienta en situaciones imprevistas.

SEGURIDAD PERSONAL

- Usa siempre protección para los ojos. El operador y las otras personas en el área de trabajo deben usar siempre gafas de seguridad con protectores laterales, aprobadas por ANSI. La protección de los ojos se utiliza para resguardarlos de los fijadores y residuos que puedan saltar, los cuales pueden causar lesiones graves en los ojos. Puedes usar las gafas que vienen con la herramienta.
- Usa siempre protección auditiva cuando utilices la herramienta. La exposición prolongada a ruidos de alta intensidad puede causar la pérdida dela audición.
- Usa la vestimenta adecuada. No utilices ropa o joyas sueltas. Recoge el cabello largo. Mantén el cabello, la ropa y los guantes alejados de las partes móviles. La ropa y las joyas sueltas o el cabello largo pueden quedar atrapados en las partes móviles.
- Cuando utilices una herramienta de motor mantente alerta. No utilices la herramienta si estás cansado o bajo el efecto de drogas, alcohol o medicamentos. Un momento de distracción durante la operación de la herramienta puede causar lesiones graves.
- Evite un uso prolongado: Las vibraciones y los movimientos repetitivos de la herramienta pueden provocar daños en las manos y brazos. Para evitar esta situación, el operador puede usar guantes que le ofrecerán un acolchado extra, hacer pausas frecuentes y limitar el uso diario.
- Esta herramienta vibra cuando funciona. Un uso continuo puede ser dañino para sus manos y brazos. Detenga el uso si siente hormigueo o dolor en las manos y brazos. Reanude el trabajo sólo cuando se sienta bien. Consulte con un médico si se manifiestan síntomas graves.
- Asegúrese de que no haya cableado eléctrico, tuberías de gas, etc. ocultos cuando trabaje en una pieza. La ruptura de alguna de éstas podría provocar una lesión en el operador de esta herramienta.

- **Nunca coloque las manos ni otra parte del cuerpo en el área de descarga de sujetadores de la herramienta.** La herramienta podría lanzar un sujetador y provocar lesiones personales graves o la muerte.
- **Usa casco de seguridad cuando realice trabajos en lugares altos.**
- **Lávese las manos después de manipularlo.** Este producto o su cable eléctrico pueden contener sustancias químicas reconocidas por el estado de California como causantes de cáncer, defectos congénitos y otros daños en el aparato reproductivo.

SEGURIDAD ELECTRICA

- **El enchufe de alimentación del cargador debe coincidir con la toma.** Nunca modifique el enchufe ni enchufe la herramienta en tomas que no coincidan con el enchufe.
- **Evite el contacto con elementos conectados a tierra como mesas de metal, tuberías, registros o refrigeradores.** El contacto con estos elementos puede provocar un riesgo de descarga eléctrica.
- **Cuando opere la herramienta, mantenga la herramienta alejada de las condiciones húmedas.** Las herramientas húmedas pueden provocar descarga eléctrica.
- **Inspeccione siempre el cable eléctrico para ver si hay daños antes y después del uso.** Un cable dañado puede provocar descarga eléctrica.
- **Si está operando la herramienta en el exterior, use una prolongación que sea apta para uso exterior.** Un cable enredado dañado puede provocar una descarga eléctrica.
- **Si el usuario debe usar la herramienta en condiciones de humedad, use un interruptor de circuito de falla conectado a tierra (ground fault circuit interrupter, GFCI).**

USO Y CUIDADO DE LA HERRAMIENTA

- **Infórmate sobre la herramienta.** Lee el manual con cuidado, aprende sobre sus aplicaciones y limitaciones, como también sobre los riesgos específicos y potenciales relacionados con la herramienta.
- **Usa únicamente los fijadores recomendados para el modelo.** No uses los fijadores incorrectos ni los cargues de forma inadecuada.
- **Usa abrazaderas u otra forma práctica para asegurar y sujetar la pieza de trabajo a una plataforma estable.** Sostener la herramienta con la mano o apoyarla contra el cuerpo no ofrece la estabilidad adecuada y puede causar pérdida de control
- **Mantenga siempre una postura estable y sujete firmemente la herramienta para poder contrarrestar el efecto de cualquier fuerza que pueda**

producirse durante el funcionamiento de la herramienta.

- **Respete siempre las mejores prácticas de seguridad y asegúrese de que se cumpla con todos los reglamentos legales pertinentes cuando se use esta herramienta.**
- **Nunca apunte la herramienta hacia alguien.**
- **No fuerces la herramienta.** Utiliza la herramienta correcta según la aplicación. La herramienta correcta realizará el trabajo mejor y con más seguridad a la velocidad para la cual está diseñada.
- **Antes de realizar ajustes, cambiar accesorios o almacenar la herramienta, desconecte la herramienta de la batería.** Esto reducirá el riesgo de lesiones de la herramienta eléctrica. Quite todas las llaves de ajuste antes de encender la herramienta.
- **Comprueba que las piezas móviles no estén desalineadas ni bloqueadas, que no haya piezas dañadas o cualquier otra condición que pueda afectar el funcionamiento de la herramienta.** Si está dañada, repara la herramienta antes de utilizarla. Muchos accidentes se deben al mantenimiento incorrecto de la herramienta.
- **Cuida la herramienta para mantenerla en buenas condiciones.** Mantén limpia la herramienta. Una herramienta con el mantenimiento adecuado corre menos riesgo de bloquearse y es más fácil de controlar.
- **Comprueba el funcionamiento de la herramienta antes de usarla.** No uses la herramienta si el mecanismo de contacto de la pieza de trabajo no funciona correctamente para evitar disparar los fijadores accidentalmente.
- **No utilices esta herramienta de tal manera que los fijadores se dirijan hacia cualquier otra cosa que no sea la pieza de trabajo.**
- **No retire, fuerce ni haga que el gatillo o el seguro del mismo queden inutilizables.** No haga funcionar ninguna herramienta que se haya modificado de dicha manera, en caso contrario podrían ocurrir lesiones personales graves o la muerte.
- **Siempre dé por sentado que la herramienta contiene sujetadores.** Respetar la herramienta; Sin juego.
- **Evite usar la herramienta cuando el cargador está vacío.** Ya que esto puede producir desgaste acelerado en la herramienta.
- **Guarda las herramientas fuera del alcance de los niños y otras personas que no sepan como utilizarlas.** Las herramientas son peligrosas en manos de usuarios que no saben como utilizarlas.
- **No utilice la herramienta para otra cosa que no sea su uso previsto.**
- **No utilice la herramienta si el gatillo no se acciona correctamente.** Toda herramienta que no

pueda controlarse con el gatillo es peligrosa y debe repararse.

- **Mantén la herramienta y el mango secos, limpios y libres de aceite o grasa.** Usa siempre un paño limpio para la limpieza. Nunca uses líquido de freno, gasolina, productos a base de petróleo ni solventes para limpiar la herramienta.
- **Nunca utilice gasolina ni ningún otro líquido inflamable para limpiar la herramienta.** Nunca utilice la herramienta en presencia de líquidos gases inflamables. Los vapores podrían encenderse por una chispa y causar una explosión que podría provocar lesiones personales graves o lamuerte.
- **No utilices la herramienta como martillo.** No deje caer ni lance la herramienta. Ya que esto podría ocasionar daños en la herramienta y causar que la misma ya no sea utilizable o segura. Si la herramienta ha sufrido caídas o ha sido lanzada, examínala atentamente y revise si hay piezas dobladas, rajadas o rotas y si hay fuga de aire comprimido, NO PROSIGA y repárela antes de usarla, en caso contrario podrían ocurrir lesiones graves.
- **No utilices la herramienta si no tiene una etiqueta de advertencia legible.**

USO Y CUIDADO DE BATERÍA Y CARGADOR

- **Use solo las baterías recomendadas por el fabricante para esta herramienta.** El uso de cualquier otra batería puede provocar riesgo de lesión o incendio.
- **Cuando la batería no está en uso, manténgala alejada de objetos metálicos que podrían conectar un terminal a otro.** Si los terminales están conectados a la batería, podrían provocar incendios o que maduras.
- **Mantenga la batería libre de situaciones abusivas.** Si una batería está dañada, puede expulsar líquido de batería. Si usted entra en contacto con el líquido de la batería, enjuague el área de contacto con agua. Si sus ojos entran en contacto con el líquido de la batería, enjuague con agua y busque atención médica. El líquido de la batería puede provocar irritación o quemaduras.
- **No almacene las baterías en áreas que puedan alcanzar o exceder los 105 °F (como la sombra exterior o los edificios de metal en verano).**
- **Cargue la batería solo con un cargador recomendado por el fabricante.** El uso de cualquier otro cargador puede provocar riesgo de lesión o incendio.
- **No use cargadores para algo que no sea cargar las baterías recomendadas por el fabricante, de otro modo se podría producir una descarga eléctrica.**
- **No exponga el cargador a la lluvia o la nieve.**
- **Asegúrese de que el cable del cargador esté**

ubicado en un área donde no se vaya a dañar.

- **Las prolongaciones no se deben usar a menos que sean absolutamente necesarias.** El uso inapropiado de una prolongación puede provocar una descarga eléctrica.
- **No coloque un objeto en la parte superior del cargador.** Esto podría bloquear las ranuras de ventilación y provocar un calor interno excesivo.
- **No utilice el cargador si ha recibido un golpe duro, se ha caído o se ha dañado de otro modo.** Lleve el cargador a un centro de reparación autorizado.
- **No desarme el cargador.** Si el cargador debe repararse, llévelo a un centro de reparación autorizado.
- **Antes de limpiar el cargador, asegúrese de desenchufarlo de cualquier fuente de energía.** Esto reducirá el riesgo de una descarga eléctrica.
- **Nunca conecte dos cargadores juntos.**

⚠ ADVERTENCIA:

No abra la batería por ningún motivo. Si la batería está dañada o agrietada, no la inserte en el cargador. Una batería dañada puede provocar descarga eléctrica. Asegúrese de desechar todas las baterías en el centro de servicio para el reciclaje.

⚠ ADVERTENCIA:

No queme las baterías ni las exponga al calor extremo. Esto podría hacer que la batería explote.

⚠ ADVERTENCIA:

No deje que entre líquido en el cargador, ya que se podría producir una descarga eléctrica.

⚠ ADVERTENCIA:

Peligro de electrocución. No toque ni deje que los objetos conductores toquen los terminales de carga. Podría producirse una descarga eléctrica o la electrocución.

REPARACIÓN DE LA HERRAMIENTA

- Usa únicamente accesorios identificados por el fabricante para ese modelo específico de herramienta.
- La utilización de piezas no autorizadas o el incumplimiento de las instrucciones de mantenimiento pueden aumentar el riesgo de lesiones.
- La reparación de la herramienta debe ser realizada únicamente por personal calificado.

FUNCIONAMIENTO

- No coloques fijadores cerca del borde del material. La pieza de trabajo puede partirse y hacer que el fijador rebote y te dañe a ti o a las personas alrededor.
- No traslade la herramienta de un lugar a otro presionando el gatillo. Esto podría provocar una descarga accidental. La opción del método de disparos es importante. Verifique el manual para las opciones de disparo.
- Durante el uso normal la herramienta se rebobinará de inmediato luego de accionar un sujetador. Esta es una función normal de la herramienta. No intente evitar la rebobinación sosteniendo la herramienta en contra del funcionamiento. La restricción para rebobinar puede provocar que se accione un segundo sujetador desde la herramienta. Sujete la manija firmemente y permita que la herramienta realice el trabajo. No seguir esta advertencia puede provocar graves lesiones personales.
- No coloques fijadores sobre otros fijadores o con la herramienta a un ángulo demasiado inclinado ya que esto puede causar el desvío de los fijadores y provocar lesiones.
- No uses la herramienta a menos que pretendas colocar un fijador en la pieza de trabajo.
- Opera siempre la herramienta con cuidado:
 - ◆ Respete la herramienta como complemento de trabajo.
 - ◆ Nunca la usen bromas y juegos.
 - ◆ Nunca jale el gatillo a menos que la punta esté orientada directamente hacia el trabajo.
 - ◆ Mantén a los demás a una distancia segura de la herramienta ya que puede accionarse accidentalmente, y posiblemente causar lesiones.

DESEMPACAR

- Esta herramienta se ha enviado completamente ensamblada.
- Retira cuidadosamente la herramienta y los accesorios de la caja.
- Inspecciona la herramienta cuidadosamente para asegurarte de que no haya ocurrido ninguna rotura ni daño durante el envío.

- No deseches el material de empaque hasta que hayas inspeccionado cuidadosamente y utilizado satisfactoriamente la herramienta.
- Si alguna pieza está dañada o falta, llama al 1-888-669-5672.

⚠ ADVERTENCIA:

Si falta alguna pieza, no utilices esta herramienta hasta reemplazarla. De no seguir esta advertencia, pueden producirse lesiones graves.

⚠ ADVERTENCIA:

No intentes modificar esta herramienta o construir accesorios no recomendados para la misma. Tales modificaciones o cambios son considerados un mal uso y pueden resultar en condiciones peligrosas que a su vez pueden posiblemente causar lesiones.

ESPECIFICACIONES

CARGA DE LA BATERÍA	100V-240V, 50/60Hz
VOLTAJE DE ENTRADA	20V, 36Wh
VELOCIDAD DE DISPARO	30 clavos/grapas por minuto
CAPACIDAD DEL CARGADOR	100 clavos/grapas
DISPAROS POR CARGA	400
TIEMPO DE CARGA	30 min
PESO DE LA HERRAMIENTA	3,12 kg
TIPO DE SUJETADOR	Clavos 18 GA Brad y 18 GA Grapas de corona angosta de 5,7 cm
RANGO EN LARGO DE SUJETADORES	Clavos: 2,0 cm - 5,0 cm Grapas: 1,9 cm - 4,0 cm

CARACTERÍSTICAS

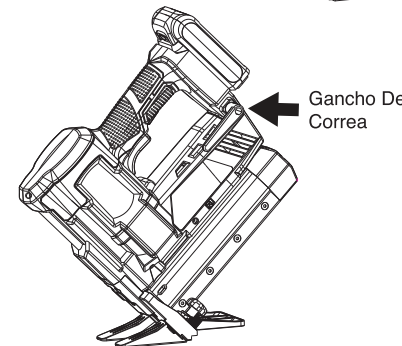
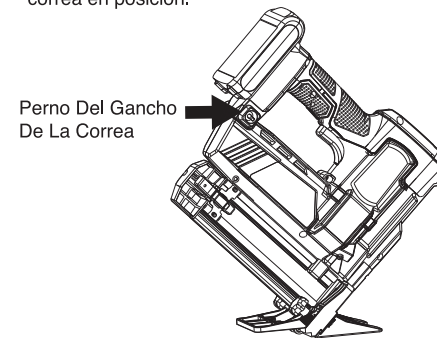
- **LA TECNOLOGÍA DE ALTA POTENCIA**
Proporciona rápidas velocidades de disparo.
- **MANIJA ERGONÓMICA**
Para uso cómodo y menor deslizamiento.
- **INDICADOR DE LUZ DE LED**
Para advertir al usuario de atascos de clavos, batería baja, polvo vacío y sobrecalentar.
- **LA LUZ DE TRABAJO DE LED**
Ayuda a iluminar la superficie de trabajo.
- **FÁCIL ACCESO**
Para remover clavos atascados.

- **RUEDA DE AJUSTE DE PROFUNDIDAD**
Para controlar la profundidad de impulsión del sujetador.
- **INTERRUPTOR DE AJUSTE DE DISPARO SENCILLO/DISPARO**
- **GANCHO DE CORREA**
- **BATERÍA DE ION DE LITIO**

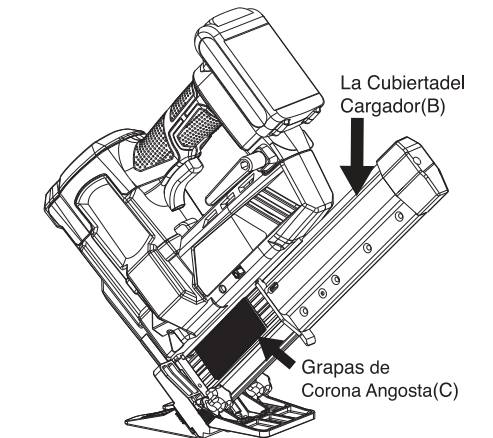
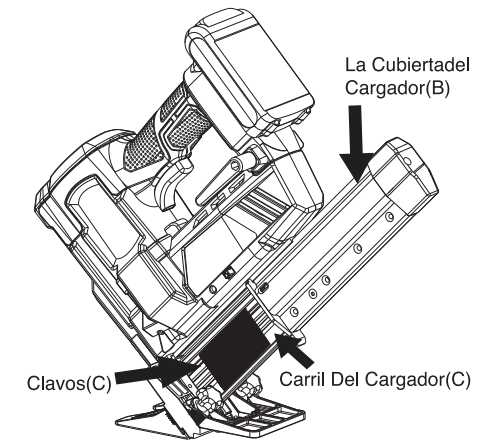
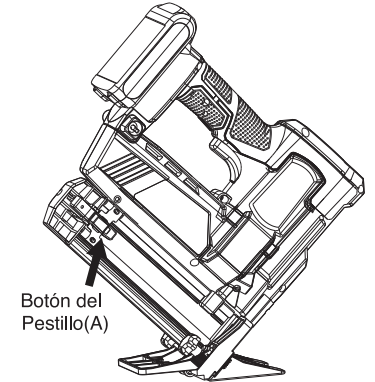
OPERACIÓN

CÓMO USAR EL GANCHO PARA CINTURÓN

1. Use un destornillador para aflojar el perno del gancho de la correa; para ello, gire el perno hacia la izquierda.
2. Gire el gancho de la correa a la posición deseada.
3. Use el destornillador para ajustar el perno del gancho de la correa y bloquee el gancho de la correa en posición.



3. Presione la cubierta del cargador (B) hacia adelante hasta que el botón del pestillo emerja.



COMO CARGAR LOS SUJETADORES

1. Presione el botón del pestillo (A) hacia abajo. Jale hacia atrás la cubierta del cargador (B).
2. Inserte los sujetadores en el riel del cargador (C).
 - ◆ Para clavos de brad, los extremos puntiagudos de los sujetadores descansan sobre el borde inferior del cargador al cargar.
 - ◆ Para grapas, la cabeza de las grapas se apoya en la parte superior de la revista.

⚠ ADVERTENCIA:

La herramienta puede dispararse al ser conectada por primera vez a la fuente de alimentación. Conecta siempre la herramienta a la fuente de aire antes de cargar los fijadores para evitar lesiones causadas por ciclos accidentales. Asegúrate siempre de que el cargador de la herramienta esté vacío al comienzo de cada sesión de trabajo, antes de conectarla a una fuente de aire.

⚠ ADVERTENCIA:

Use solamente los sujetadores recomendados para esta herramienta. Los sujetadores no identificados por el fabricante de la herramienta para usarse con la misma pueden causar lesiones a las personas o daños en la herramienta cuando se usan con ella.

⚠ ADVERTENCIA:

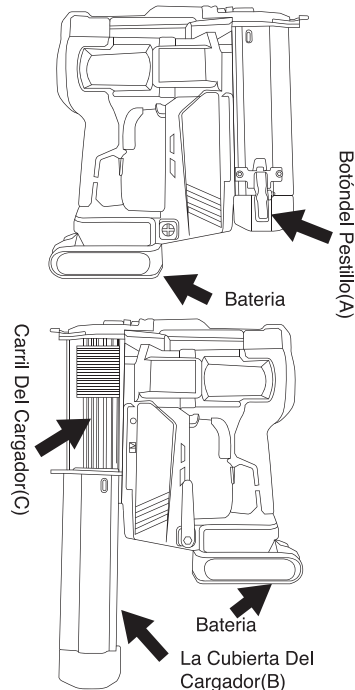
Mantenga la herramienta en dirección opuesta a usted y otras personas al cargar los sujetadores. No hacerlo podría provocar lesiones personales graves.

⚠ ADVERTENCIA:

Nunca cargue el sujetador con la pieza de trabajo en contacto o el gatillo activado. Esto podría provocar lesiones personales graves.

CÓMO DESCARGAR LOS SUJETADORES

1. Retirar la batería.
2. Presione el botón del pestillo (A) hacia abajo. Jale hacia atrás la cubierta del cargador (B).
3. Retire todos los sujetadores del carril del cargador (C).
4. Presione la cubierta del cargador (B) hacia adelante hasta que el botón del pestillo emerja.



⚠ ADVERTENCIA:

Siempre descargue todos los sujetadores antes de retirar la herramienta del servicio.

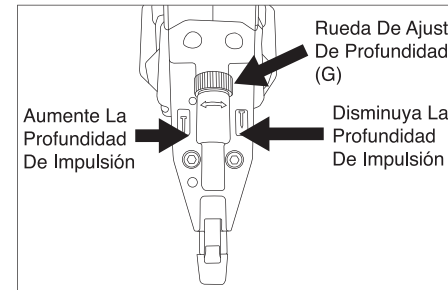
⚠ ADVERTENCIA:

Desconectar siempre la herramienta a la fuente de alimentación antes de cargar los fijadores para evitar lesiones causadas por ciclos accidentales.

AJUSTE DE PROFUNDIDAD

La profundidad de impulsión de los sujetadores es ajustable. Para ajustar la profundidad, use la rueda de ajuste de profundidad (G) en la parte superior de la nariz de la herramienta.

1. Gire la rueda de ajuste de profundidad hacia la derecha cuando la herramienta apunte lejos de usted para aumentar la profundidad de impulsión del sujetador.
2. Gire la rueda de ajuste de profundidad hacia la izquierda cuando la herramienta apunte lejos de usted para disminuir la profundidad de impulsión.



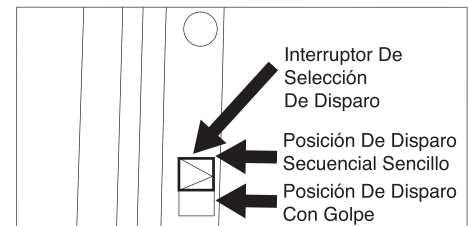
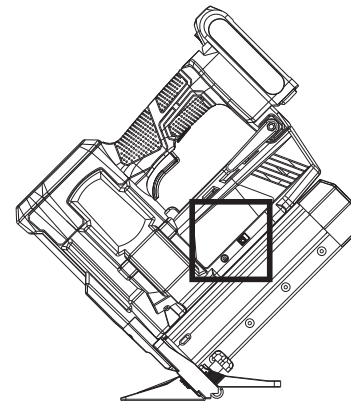
* Aumente La Profundidad De Impulsión solo disponible con la cubierta de punta regular.

⚠ PRECAUCIÓN:

Se recomienda probar la profundidad en una pieza de trabajo de desecho para determinar la profundidad requerida para.

CONFIGURACIÓN DE LOS AJUSTES DE DISPARO DE LA HERRAMIENTA

1. Levante el interruptor de selección de disparos para seleccionar un disparo secuencial sencillo. Este modo requiere que se apriete el gatillo cada vez que se impulsa un sujetador. La herramienta se puede accionar al presionar el elemento de contacto de trabajo contra la superficie de trabajo después de apretar el gatillo.
2. Baje el interruptor de selección de disparo para seleccionar el disparo con golpe. Esto le permitirá disparar al mantener presionado el gatillo y al bajar la nariz de la pistola en la pieza de trabajo tantas veces como sea necesario.



⚠ ADVERTENCIA:

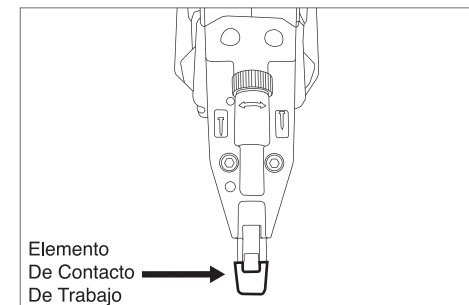
Siempre conozca el modo de funcionamiento de la herramienta antes de usarla, de lo contrario podría ocasionar lesiones personales graves o lamuerte.

⚠ ADVERTENCIA:

No se debe utilizar una herramienta que funciona de forma inadecuada. No accione la herramienta al menos que se encuentre colocada de forma firme en el lugar de trabajo.

ELEMENTO DE CONTACTO DE TRABAJO (WCE)

Verifique el funcionamiento del mecanismo de disparo del elemento de contacto de trabajo antes de cada uso. El WCE debe desplazarse libremente sin obstruirse a lo largo de toda la longitud de desplazamiento. El resorte del WCE debe regresar este último a su posición completamente extendida después de ser presionado. No utilice la herramienta si el mecanismo de disparo del WCE no funciona adecuadamente, ya que podrían ocurrir lesiones personales.



* Aumente La Profundidad De Impulsión solo disponible con la cubierta de punta regular.

ALMOHADILLA QUE NO RAYA

La almohadilla que no raya que se encuentra adherida al extremo de la herramienta ayuda a evitar que se estropee y abolle al trabajar con maderas más blandas.

* Aumente La Profundidad De Impulsión solo disponible con la cubierta de punta regular.

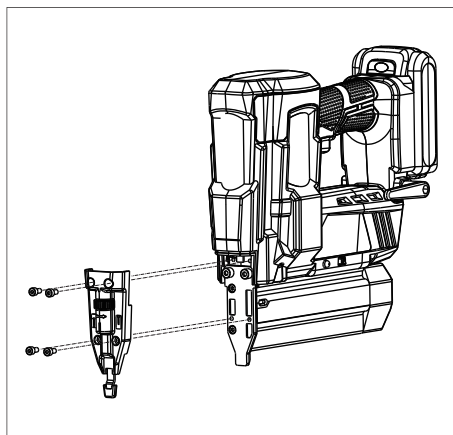
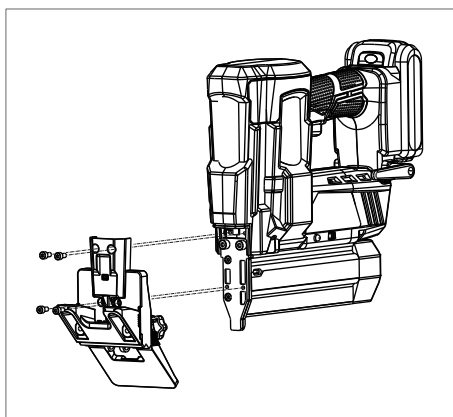
⚠ ADVERTENCIA:

Desconecte la herramienta del suministro de alimentación antes de retirar o reemplazar la almohadilla que no raya. El incumplimiento de dicho paso podría provocar graves lesiones personales.

CAMBIE LA CUBIERTA DE LA PUNTA

La herramienta viene con otra cubierta regular para la punta con la cual la clavadora puede convertirse en una clavadora/engrapadora regular de clavos sin cabeza.

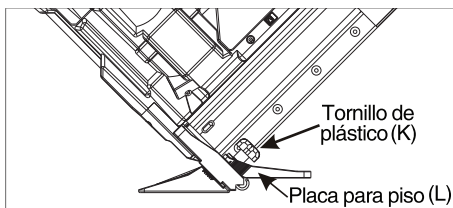
1. Retirar la batería.
2. Retire los sujetadores de la herramienta. No hacerlo podría provocar que los sujetadores se expulsen desde la parte frontal de la herramienta.
3. Use una llave para aflojar cuatro pernos desde la parte frontal.
4. Retire el accesorio de piso 45°.
5. Coloque la cubierta de la nariz con los cuatro pernos desde la parte frontal.



REGULE LA PLACA PARA PISO

Cuando la cubierta de la punta para pisos está sobre la clavadora, la profundidad de la placa para pisos puede regularse a grosores de madera de 1,42 cm, 2,37 cm y 1,89 cm. Para regular la profundidad de la placa para pisos, siga los siguientes pasos:

1. Retirar la batería.
2. Afloje los tornillos de plástico (K) en ambos lados de la placa para pisos (L).
3. Deslice la placa para pisos hacia arriba o hacia abajo para adaptarla a la aplicación sobre su piso.
4. Ajuste firmemente los tornillos de plástico.
5. Asegure la profundidad correcta para el piso de madera disparando la herramienta hacia un trozo de piso que no utilice y verificando la colocación adecuada del sujetador.

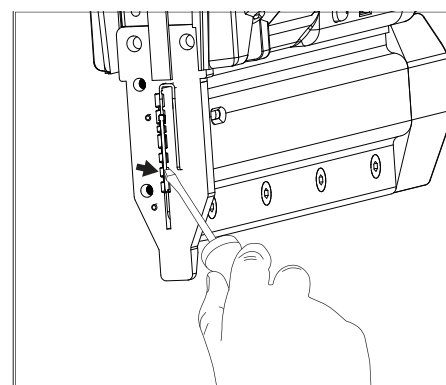
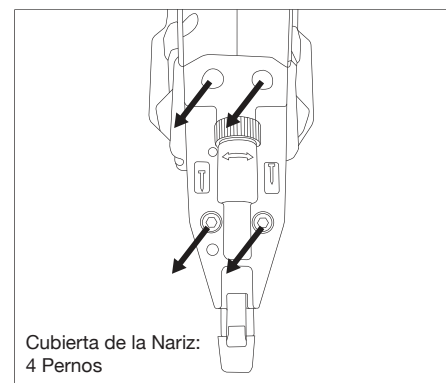
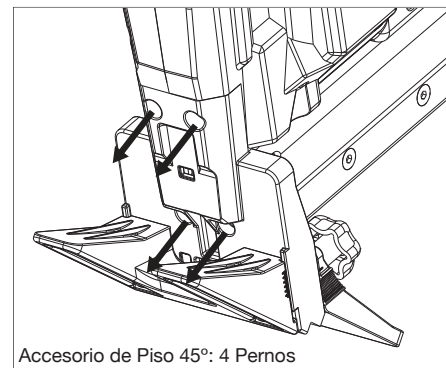


COMO RETIRAR SUJETADORES ATASCADOS

En ocasiones, un sujetador puede atascarse en el mecanismo de disparo, dejando la herramienta inoperante. Para retirar el sujetador atascado, siga los siguientes pasos:

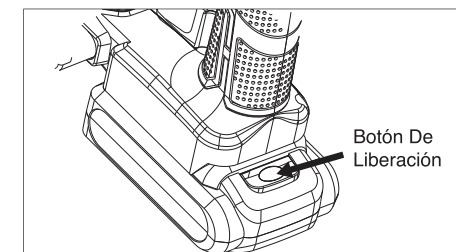
1. Retirar la batería.

2. Retire todos los sujetadores del carril del cargador.
3. Use una llave para aflojar cuatro pernos y retire la cubierta de la nariz o accesorio de piso 45°.
4. Use un destornillador plano para quitar el sujetador atascado y empuje la hoja de disco nuevamente en su lugar.



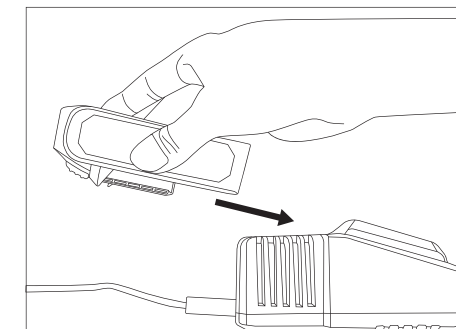
EXTRACCIÓN DE LA BATERÍA

1. Presione el botón de liberación de la batería.
2. Libere la batería del cuerpo de la clavadora/grapadora.



CARGA DE LA BATERÍA

1. Para cargar la batería, alinee la ranura de la batería con la ranura del cargador y deslicela para colocarla en el lugar.
2. La luz de indicación de la batería debe cambiar de verde a rojo cuando la batería se está cargando.
3. Cuando la luz de indicación se ha vuelto verde, la batería debe estar completamente cargada.



CÓMO CARGAR LA BATERÍA CUANDO ESTÁ CALIENTE

Cuando se usa continuamente una herramienta, el paquete de baterías se calienta. Si está caliente el paquete de baterías, debe dejarse enfriar durante 30 minutos aproximadamente antes de proceder a recargarlo. Esta situación sólo ocurre cuando se calientan las baterías debido al uso continuo de la herramienta. No ocurre en circunstancias normales. Para cargar normalmente las baterías consulte la sección "CARGA DE LA BATERÍA". Si el cargador no carga el paquete de baterías en circunstancias normales, regrese ambos, tanto el paquete como el cargador, al centro de servicio autorizado de su preferencia, para que los revisen eléctricamente.

BATERÍAS

Las baterías están diseñadas para proporcionar una larga vida de servicio sin problemas. No obstante, como todas las baterías, finalmente se acaban. No desarme el paquete de baterías para tratar de cambiar las baterías. El manejo de estas baterías, especialmente cuando se traen puestos anillos y joyas, puede causar quemaduras serias. Para lograr la más larga duración posible de las baterías, se sugiere lo siguiente:

- ◆ Retire el paquete de baterías del cargador una vez cargado completamente y listo para usarse.
- ◆ Guarde la batería donde la temperatura sea inferior a 27°C (80°F) y lejos de la humedad.
- ◆ Guarde el paquete de baterías cargado de un 30% a un 50%.
- ◆ Cargue la batería de manera normal, cada seis meses de almacenamiento.

REMOCIÓN Y PREPARACIÓN DEL PAQUETE DE BATERÍAS PARA EL RECICLADO



Para preservar los recursos naturales, le suplicamos reciclar o desechar debidamente las baterías. Este producto contiene baterías de iones de litio. Es posible que algunas leyes municipales, estatales o federales prohíban desechar las baterías

de iones de litio en la basura normal. Consulte a las autoridades reguladoras de desechos para obtener información en relación con las alternativas de reciclado y desecho disponibles.

SOLUCIÓN DE PROBLEMAS

⚠ ADVERTENCIA:

Deje de utilizar inmediatamente la herramienta si se presenta alguno de los problemas descritos a continuación, de lo contrario podrían ocurrir lesiones personales graves. Cualquier reparación o reemplazo debe llevarse a cabo por un técnico calificado o un centro.

PROBLEMA	CAUSA POSIBLE	ACCIONES CORRECTIVAS
La herramienta no enciende (las luces de LED no se encienden).	<ul style="list-style-type: none"> ● Los componentes electrónicos internos de la herramienta no se han reiniciado. ● La batería está baja o no está cargada. ● La batería está dañada. 	<ul style="list-style-type: none"> ● Quite la batería de la herramienta, espere 3 segundos y vuelva a insertarla. ● Cargue la batería. ● Reemplace la batería.

MANTENIMIENTO

⚠ ADVERTENCIA:

Siempre que se realice la inspección, el mantenimiento y la limpieza asegúrese de retirar la batería de la herramienta y vaciar todos los sujetadores del cargador.

LIMPIEZA DEL CANAL DE CLAVES

Los problemas con los clavos o los ciclos de los clavos durante el disparo pueden deberse al residuo de pegamento de los listones de clavado. Si este es el caso, limpie el área que rodea el mecanismo de impulsión.

- Quite la batería de la herramienta.
- Deslice y baje la tapa del polvorín para quitar los clavos y exponer el canal de clavos.
- Use una pequeña cantidad de aceite para herramientas neumáticas en un paño limpio para limpiar y secar el canal de clavos, hasta que se hayan eliminado todos los restos de pegamento.
- Vuelva a instalar los clavos en el polvorín y cierre la tapa del polvorín.

OPERACIÓN EN CLIMAS FRÍOS

Cuando esté operando la herramienta en ambientes bajo cero:

1. Antes de usar la herramienta, manténgala lo más cálido posible.
2. Dispare la herramienta en un pedazo inservible de material 5 a 6 veces.

LIMPIEZA

Evita el uso de solventes para limpiar las piezas plásticas. La mayoría de los plásticos pueden dañarse con facilidad al usar varios tipos de solventes comerciales. Usa paños limpios para limpiar la suciedad, polvo, grasa, etc.

PROBLEMA	CAUSA POSIBLE	ACCIONES CORRECTIVAS
La herramienta no enciende (las luces de LED no se encienden).	<ul style="list-style-type: none"> ● El elemento de contacto de trabajo está bloqueado en posición. ● Los terminales de la batería están sucios. ● Los componentes electrónicos internos están dañados. 	<ul style="list-style-type: none"> ● Desbloquee el elemento de contacto de trabajo. ● Limpie los terminales de la batería. ● Vea el centro de servicio autorizado.
La herramienta no se acciona (las luces de LED se encienden).	<ul style="list-style-type: none"> ● El elemento de contacto de trabajo ion está presionado. ● El elemento de contacto de trabajo está atascado. ● Componentes electrónicos dañados. 	<ul style="list-style-type: none"> ● Si la herramienta está en la configuración de disparo sencillo, libere el gatillo o el elemento de contacto de trabajo. Luego intente volver a disparar la herramienta. ● Desbloquee el elemento de contacto de trabajo. ● Vea el centro de servicio autorizado. ● Cargue o reemplace la batería. ● Deje enfriar la herramienta.
La herramienta no se acciona (la luz de LED es roja).	<ul style="list-style-type: none"> ● La carga de la batería está baja. ● La batería está caliente. 	<ul style="list-style-type: none"> ● Quite la batería de la herramienta y limpie el atasco de la pistola. Luego vuelva a colocar la hoja de impulsión y vuelva a insertar la batería. ● Cargue más sujetadores en el polvorín. ● Inserte los sujetadores recomendados por el fabricante. ● Limpie la pieza de la nariz con aceite de la herramienta neumática y un paño limpio. ● Limpie el polvorín de la nariz con aceite de la herramienta neumática y un paño limpio. ● Vea el centro de servicio autorizado.
La herramienta funciona, pero no se impulsa ningún sujetador.	<ul style="list-style-type: none"> ● Hay un sujetador atascado en la herramienta. ● No hay clavos en el polvorín. ● Se ha cargado el sujetador incorrecto. ● Hay desechos en la pieza de la nariz. ● Hay desechos en el polvorín. ● El polvorín está desgastado la hoja de impulsión está dañada o desgastada. 	<ul style="list-style-type: none"> ● Quite la batería de la herramienta y limpie el atasco de la pistola. Luego vuelva a colocar la hoja de impulsión y vuelva a insertar la batería. ● Cargue más sujetadores en el polvorín. ● Inserte los sujetadores recomendados por el fabricante. ● Limpie la pieza de la nariz con aceite de la herramienta neumática y un paño limpio. ● Limpie el polvorín de la nariz con aceite de la herramienta neumática y un paño limpio. ● Vea el centro de servicio autorizado.
La herramienta funciona, pero no se impulsa ningún sujetador.	<ul style="list-style-type: none"> ● Hay un sujetador atascado en la herramienta. ● No hay clavos en el polvorín. ● Se ha cargado el sujetador incorrecto. ● Hay desechos en la pieza de la nariz. ● Hay desechos en el polvorín. ● El polvorín está desgastado la hoja de impulsión está dañada o desgastada. 	<ul style="list-style-type: none"> ● Quite la batería de la herramienta y limpie el atasco de la pistola. Luego vuelva a colocar la hoja de impulsión y vuelva a insertar la batería. ● Cargue más sujetadores en el polvorín. ● Inserte los sujetadores recomendados por el fabricante. ● Limpie la pieza de la nariz con aceite de la herramienta neumática y un paño limpio. ● Limpie el polvorín de la nariz con aceite de la herramienta neumática y un paño limpio. ● Vea el centro de servicio autorizado.
La herramienta funciona, pero no impulsa el sujetador por completo.	<ul style="list-style-type: none"> ● La batería tiene una carga baja o está dañada. ● El ajuste de profundidad está configurado poco profundo. ● La herramienta no se presiona firmemente contra la pieza de trabajo. ● La longitud del material y el sujetador es demasiado exigente en la herramienta. 	<ul style="list-style-type: none"> ● Cargue o reemplace la batería. ● Gire el ajuste de profundidad hacia un ajuste más profundo. ● Presione con más firmeza en la pieza de trabajo. ● Elija un material y un sujetador más apropiado para su aplicación.
El sujetador está atascado.	<ul style="list-style-type: none"> ● Se ha cargado el sujetador incorrecto en la herramienta. ● La carga de la batería está baja o la batería está dañada. ● Hay desechos en la pieza de la nariz. 	<ul style="list-style-type: none"> ● Sujetadores de carga recomendados por el fabricante. ● Cargue o reemplace la batería. ● Limpie la pieza de la nariz con aceite de la herramienta neumática y un paño limpio.

El sujetador está atascado.

- Hay desechos en el polvorín.
- El polvorín está desgastado.
- El resorte de pulsador está desgastado o dañado.

- Limpie el polvorín de la nariz con aceite de la herramienta neumática y un paño limpio.
- Vea el centro de servicio autorizado.
- Vea el centro de servicio autorizado.

▲ ADVERTENCIA:

Use sólo piezas derepuesto autorizadas por Freeman. Si tiene preguntas llame al 1-888-669-5672 o visite nuestro sitio Web en <http://www.freemantools.com>

GARANTÍAS DE LOS PRODUCTOS PGP INC.

Garantía de 1 año para herramientas profesionales

la garantía limitada para herramientas Freeman se extiende en forma exclusiva al comprador original del producto Freeman, comienza en la fecha de compra. Durante el período de garantía Prima Global Products, Inc. (PGP) garantiza expresamente que el producto Freeman está libre de defectos de material y mano de obra con sujeción a las excepciones y limitaciones contenidas en el presente. A su elección, PGP reparará, reemplazara u ofrecerá un reembolso completo por un producto Freeman que tenga un defecto de material o mano de obra.

PARA HACER UN RECLAMO DE GARANTÍA SE REQUIERE EL ORIGINAL DEL RECIBO O PRUEBA DE COMPRA QUE EMITIÓ EL VENDEDOR DONDE SE INDIQUE LA FECHA DE COMPRA. También se necesita registrar la garantía lo que se podrá hacer a través del proceso de registro de producto en línea en www.freemantools.com, seleccione SOPORTE, luego REGISTRO DE PRODUCTO. Para hacer un reclamo de garantía, el comprador original deberá enviar a PGP o a uno de sus centros de servicios autorizados la Pistola para Clavos Freeman, franqueo postal prepagado y garantizado, incluyendo la prueba de compra. Para cualquier consulta llame al 1-888-669-5672. No se hará cobro alguno por las reparaciones que estén cubiertas por la presente garantía, con excepción del costo del franqueo postal y los requisitos de seguro.

Exclusiones de la garantía

Esta garantía no se aplicará en ninguno de las siguientes casos:

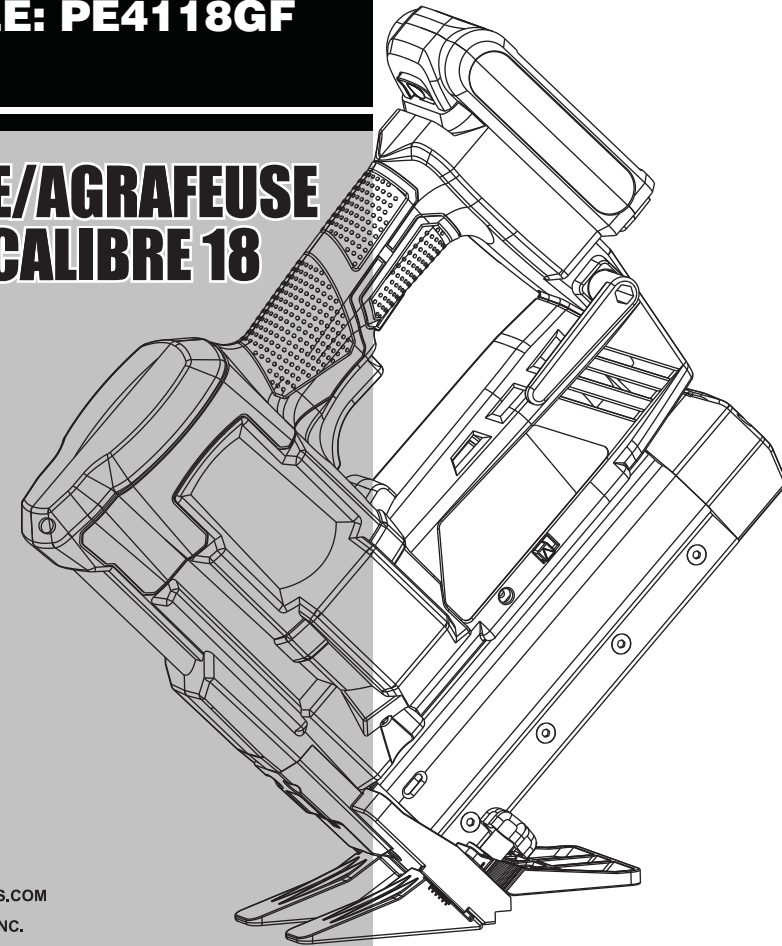
- Cuando se hayan hecho, o intentado hacer, reparaciones o modificaciones por otros o cuando se haya usado sin autorización piezas o accesorios no conformes.
- Cuando se requiera hacer reparaciones debido al desgaste lógico y normal.
- Cuando se haya usado inadecuadamente la pistola para clavos o no se haya operado en forma apropiada o no se le haya dado el mantenimiento que correspondía, incluyendo: no usar aire comprimido regulado, seco y limpio a la presión recomendada; accidentes provocados por uso del producto Freeman después de una falla parcial.
- El producto Freeman se usa comercialmente en líneas de ensamblaje o de producción. El producto Freeman está diseñado para ser usado par personas particulares yes par eso que esta garantía no se extiende a usos comerciales.

EN LA PRESENTE GARANTÍA NO SE DA NINGUNA OTRA GARANTÍA, ORAL O ESCRITA, EXPRESA O IMPLÍCITA, QUE NO SEA LA QUE SE INDICA LÍNEAS ARRIBA EN RELACIÓN A ESTE PRODUCTO FREEMAN. TODA GARANTÍA IMPLÍCITA TENDRA UNA DURACIÓN LIMITADA AL PERÍODO DE GARANTÍA APLICABLE QUE SE MENCIONA AQUÍ. ALGUNOS ESTADOS NO PERMITEN LIMITACIONES SOBRE CUÁNTO TIEMPO DURA UNA GARANTÍA IMPLÍCITA, POR LO QUE LO AQUÍ CONSIGNADO PODRÍA NO APLICARSE A SU CASO. SUS RECURSOS LEGALES SE LIMITAN ÚNICA Y EXCLUSIVAMENTE A LO AQUÍ CONSIGNADO. EN NINGÚN CASO PGP SERÁ RESPONSABLE POR DAÑOS INDIRECTOS, FORTUITOS O CUANTIFICABLES, POR LO QUE LA LIMITACIÓN O EXCLUSIÓN AQUÍ CONTENIDA PUEDE NO APLICARSE A SU CASO. EN NINGÚN CASO, SEA COMO RESULTADO DE UN INCUMPLIMIENTO DE CONTRATO, DE GARANTÍA, AGRAVIO (INCLUYENDO NEGLIGENCIA) U OTRO, LA RESPONSABILIDAD DE PGP EXCEDERÁ EL PRECIO DEL PRODUCTO QUE DIO ORIGEN AL RECLAMO DE GARANTIA O A LA RESPONSABILIDAD. TODA OBLIGACIÓN RELACIONADA CON EL USO DE ESTE PRODUCTO TERMINARÁ AL VENCIMIENTO DEL PERÍODO DE GARANTÍA AQUÍ ESPECIFICADO. NINGÚN EMPLEADO O REPRESENTANTE DE PGP, O CUALQUIER OTRO AGENTE O DISTRIBUIDOR, ESTÁ AUTORIZADO A REALIZAR CAMBIOS O MODIFICACIONES A ESTA GARANTÍA.

La presente garantía le da al comprador derechos legales espectricos. El comprador podría tener otros derechos que varfan de un estado a otro.

FREEMAN
MODÉLE: PE4118GF

**CLOUEUSE/AGRAFEUSE
SANS FIL CALIBRE 18**



[HTTP://WWW.FREEMANTOOLS.COM](http://www.freemantools.com)
1-888-669-5672
PRIME GLOBAL PRODUCTS, INC.



AVERTISSEMENT:

Tout manquement aux mises en garde pourrait se solder par MORTDHOMME ' OU DES BLESSURES GRAVES.

SYMBOLES	31
RÈGLES DE SÉCURITÉ GÉNÉRALES	31 - 34
DÉBALLAGE	34
CARACTÉRISTIQUES	34
FONCTIONNALITÉS	34
UTILISATION	35 - 39
UTILISATION DU CROCHET DE CEINTURE	35
CHARGEMENT DES ATTACHES	35 - 36
DÉCHARGEMENT DES ATTACHES	36
RÉGLAGE DE LA PROFONDEUR	36 - 37
SÉLECTION DES RÉGLAGES DE DÉCLENCHEMENT DE L'OUTIL	37
ÉLÉMENT DE CONTACT AVEC L'OUVRAGE	37
APPUI ANTIMARQUES	38
REMPLACEMENT DU COUVERCLE DE LA TÊTE	38
RÉGLAGE DE LA PLAQUE DE PLANCHER	38
DÉGAGER LES BLOCAGES	38 - 39
RETRAIT DE LA BATTERIE	39
CHARGE DE LA BATTERIE	39
CHARGE D'UN BATTERIE CHAUD	39
BATTERIE	40
RETRAIT ET PRÉPARATION DU BATTERIES POUR LE RECYCLAGE	40
ENTRETIEN	40
DÉPANNAGE	40 - 41
GARANTIES	42



AVERTISSEMENT:

Les mises en garde et les précautions dont il est question dans le présent manuel ne couvrent pas toutes les conditions et les situations possibles. L'utilisateur doit comprendre qu'il est impératif de faire preuve de jugement et de prudence.



CONSERVEZ CE MANUEL

Pour éviter tout risque de blessure grave, ne tentez pas d'utiliser cet outil avant d'avoir lu entièrement le manuel et de l'avoir compris. Conservez ce manuel et consultez-le fréquemment pour une utilisation sécuritaire par toute personne qui utilisera cet outil. Gardez ce manuel qui contient les avertissements de sécurité, les précautions à prendre, le mode de fonctionnement, les inspections et l'entretien à effectuer. Gardez ce manuel et le reçu dans un endroit sec et sécuritaire pour référence ultérieure.

SYMBOLES

- Dans le présent manuel, sur les étiquettes, les emballages et tous les autres documents d'information fournis avec cet outil, les symboles et leur signification décrivent les niveaux de risque associés à cet outil :

SYMBOLES	INDICATEUR	SIGNIFICATION
	AVERTISSEMENT :	Indique une situation potentiellement dangereuse qui, si elle n'est pas évitée, pourrait se solder par mort d'homme ou des blessures graves.
	ATTENTION:	Indique une situation potentiellement dangereuse qui, si elle n'est pas évitée, pourrait se solder par des blessures mineures ou modérées.
	ATTENTION:	(Aucun symbole) Indique une situation qui pourrait poser des risques de dommages matériels.

RÈGLES DE SÉCURITÉ GÉNÉRALES

PROPOSITION 65 DE LA CALIFORNIE

⚠ AVERTISSEMENT:

Ce produit peut vous exposer à des produits chimiques, y compris le plomb, ce qui est connu de l'État de California pour causer le cancer et des malformations congénitales ou d'autres problèmes de reproduction. Pour plus d'informations, consultez le site www.P65Warnings.ca.gov.

ZONE DE TRAVAIL

- **Garder la zone de travail propre et bien éclairée.** Des établis encombrés et des endroits sombres présentent des risques d'accidents.
- **N'utilisez pas l'outil en présence de vapeurs explosives (comme celles dégagées par des liquides, des gaz ou des poussières inflammables).** Les étincelles générées par l'outil peuvent enflammer les liquides, les gaz ou les poussières inflammables.
- **Éloignez les curieux, les enfants et les visiteurs de la zone de travail lorsqu'on utilise l'outil.** Une distraction peut entraîner une utilisation inappropriée et causer des blessures.
- **Gardez les pieds au sol et conservez votre équilibre en tout temps.** La stabilité et un bon équilibre permettent de mieux contrôler l'outil dans des situations inattendues.
- **N'utilisez pas l'outil sur une échelle ou sur une surface instable.** La stabilité sur une surface solide permet de mieux contrôler l'outil dans des situations inattendues.

SÉCURITÉ PERSONNELLE

- **Portez toujours des lunettes de sécurité.** L'opérateur et les autres personnes se trouvant dans la zone de travail doivent toujours porter des lunettes de sécurité avec des écrans de protection latéraux conformes aux stipulations de l'ANSI. Les lunettes de protection assurent une protection contre les attaches et les débris pouvant causer des blessures graves aux yeux. Vous pouvez utiliser les lunettes de sécurité fournies avec l'outil.
- **Portez toujours des protecteurs auriculaires lorsque vous utilisez l'outil.** Une exposition prolongée à des bruits de grande intensité risque de causer une perte auditive.
- **Portez des vêtements appropriés.** Évitez de porter des vêtements amples ou des bijoux. Attachez les cheveux longs. Gardez les cheveux, les vêtements et les gants à l'écart des pièces mobiles. Les vêtements amples, bijoux ou cheveux longs pourraient se prendre dans les pièces mobiles.
- **Demeurez vigilant, faites attention à ce que vous faites et faites preuve de jugement lorsque vous utilisez un outil électrique.** N'utilisez pas l'outil si vous êtes fatigué ou lorsque vous avez pris de la drogue, de l'alcool ou des médicaments. De graves blessures peuvent résulter d'un moment d'inattention lors de l'utilisation de l'outil.
- **Évitez une utilisation prolongée.** les vibrations et les mouvements répétitifs de l'outil peuvent causer des blessures aux mains ou aux bras. L'utilisateur peut porter des gants offrant un amortissement supplémentaire, prendre des pauses fréquentes et limiter l'utilisation quotidienne pour prévenir ce problème.
- **Cet outil vibre quand il fonctionne.** Une utilisation continue peut être dommageable pour vos mains et vos bras. Arrêtez d'utiliser l'outil si vous ressentez des picotements ou de la douleur.

- **Assurez-vous qu'il n'y a pas de câbles électriques, de tuyaux de gaz ou d'autres éléments cachés quand vous travaillez sur une pièce.** Le bris de ces derniers pourrait blesser l'opérateur de l'outil.
- **Ne placez jamais vos mains ou toute autre partie du corps dans la zone d'éjection des attaches de l'outil.** L'outil pourrait éjecter une attaché, ce qui pourrait se solder par mort d'homme ou des blessures graves.
- **Pour les travaux de tête, portez un casque de sécurité.**
- **Lavez vos mains après avoir manipulé l'outil.** Cet outil ou son cordon d'alimentation peut contenir des produits chimiques reconnus par l'État de Californie comme causant des cancers et des malformations congénitales ou comme étant nocifs au système reproducteur.

SÉCURITÉ ÉLECTRIQUE

- **La fiche du chargeur doit correspondre à la prise.** Ne modifiez jamais la fiche et ne branchez pas l'outil dans des prises qui ne correspondent pas à la fiche.
- **Évitez le contact avec des objets mis à la terre comme des tables de métal, des tuyaux, des fours ou des réfrigérateurs.** Entrer en contact avec ces éléments peut poser un risque d'électrocution.
- **Lorsque vous utilisez l'outil, veillez à le tenir loin de l'eau.** Les outils mouillés peuvent causer une électrocution.
- **Avant et après l'utilisation, vérifiez toujours que le cordon électrique n'est pas endommagé.** Un cordon endommagé peut causer une électrocution.
- **Si vous utilisez l'outil à l'extérieur, utilisez une rallonge électrique homologuée pour l'utilisation à l'extérieur.** Un cordon emmêlé et endommagé peut causer une électrocution.
- **Si vous devez vous servir de l'outil dans des conditions humides, utilisez un disjoncteur de fuites à la terre.**

UTILISATION ET ENTRETIEN DE L'OUTIL

- **Apprenez à connaître cet outil.** Lisez attentivement le manuel, familiarisez-vous avec les applications et les limites, ainsi qu'avec les risques potentiels liés à cet outil.
- **N'utilisez que les attaches recommandées pour votre modèle.** Chargez correctement les attaches et n'utilisez pas d'attaches inappropriées.
- **Utilisez des pinces ou un autre moyen pratique de tenir en place et de supporter l'ouvrage sur une plateforme stable.**
- **Maintenez l'outil avec votre main ou contre votre corps est instable et risque de causer la perte de contrôle de l'outil.**
- **Pratiquez des pratiques de travail sûres et assurez-vous que toutes les exigences légales pertinentes sont respectées lors de l'utilisation de cet outil.**

- **Ne jamais pointer l'outil vers l'utilisateur ou les autres personnes dans la zone de travail.** Cela pourrait causer des blessures graves.
- **L'outil ne doit pas être forcé, utilisez l'outil pour votre application.** L'outil correct Meilleure et plus sûre au taux pour lequel le Est conçu.
- **Avant de procéder à des réglages, de changer d'accessoires ou de stocker l'outil, débranchez l'outil de la batterie.** Cela réduira le risque de blessures de l'outil électrique.
- **Retirez les clés de réglage et autres clés avant de mettre l'outil en marche.**
- **Vérifiez l'alignement et l'absence de jeu des pièces mobiles, le degré d'usure des pièces ainsi que tout autre facteur susceptible de nuire au bon fonctionnement de l'outil.** S'il est endommagé, faites réparer l'outil avant de l'utiliser. Des outils mal entretenus sont la cause de nombreux accidents.
- **Prenez soin de vos outils.** Gardez vos outils propres. Un outil bien entretenu réduit le risque de blocage et est plus facile à contrôler.
- **Vérifiez le fonctionnement de l'outil avant de l'utiliser.** N'utilisez pas l'outil si le mécanisme de contact ne fonctionne pas. Cela pourrait causer l'éjection accidentelle d'une attache.
- **N'utilisez jamais cet outil lorsqu'une attache est dirigée vers autre chose qu'une pièce à travailler.**
- **Il ne faut pas retirer, altérer, ou autrement rendre inutilisables le bouton de verrouillage de la détente ou la détente.** N'utilisez pas un outil qui a été modifié de quelque façon que ce soit.
- **Assumez toujours que l'outil contient des attaches.**
- **Évitez d'utiliser l'outil lorsque le magasin est vide.** Cela entraîne l'usure accélérée de l'outil.
- **Rangez l'outil hors de la portée des enfants et de toute autre personne qui n'en connaît pas le fonctionnement.** Les outils sont dangereux dans des mains inexpérimentées.
- **Ne pas utiliser l'outil pour autre chose que l'utilisation prévue.**
- **N'utilisez pas l'outil si la détente ne fonctionne pas.** Tout outil dont la détente ne fonctionne pas est dangereux et doit être réparé.
- **Assurez-vous que les poignées sont sèches, propres et exemptes d'huile et de graisse.** Utilisez toujours un chiffon propre pour le nettoyage. N'utilisez pas de liquide de frein, d'essence, de produits à base de pétrole ou tout autre diluant puissant pour nettoyer votre outil.
- **N'utilisez jamais d'essence ou d'autres liquides inflammables pour nettoyer l'outil.** N'utilisez jamais l'outil en présence de liquides ou de gaz inflammables. Une étincelle pourrait enflammer la vapeur, ce qui risquerait de causer une explosion qui pourrait se solder par mort d'homme ou des blessures graves.

- **N'utilisez pas l'outil comme un marteau.**
- **Ne touchez la détente que lorsque vous enfoncez des attaches.**
- **Ne laissez pas tomber l'outil et ne le lancez pas.** Faire tomber ou lancer l'outil pourrait l'endommager et le rendre inutilisable ou non sécuritaire. Si l'outil est tombé ou a été lancé, vérifiez qu'il ne présente aucune pièce pliée, fissurée ou brisée et qu'il n'y a pas de fuite d'air. Cessez d'utiliser l'outil et faites-le réparer afin d'éviter les blessures graves.
- **N'utilisez pas l'outil si aucune étiquette d'avertissement lisiblement y est apposée.**

ENTRETIEN ET UTILISATION DE LA BATTERIE ET DU CHARGEUR

- **Utilisez uniquement les batteries recommandées par le fabricant pour cet outil.** L'utilisation de toute autre batterie peut poser un risque de blessure ou d'incendie.
- **Lorsque la batterie n'est pas utilisée, gardez-la loin des objets métalliques qui pourraient connecter une borne à une autre.** Si les bornes sont connectées, la batterie pourrait causer un incendie ou des brûlures.
- **Évitez de soumettre la batterie à des conditions abusives.** Si une batterie est endommagée, du liquide de batterie peut s'en écouler. Si vous entrez en contact avec le liquide de batterie, rincez la zone affectée avec de l'eau. Si du liquide de batterie entre en contact avec vos yeux, rincez-les avec de l'eau et obtenez de l'aide médicale. Le liquide de batterie peut causer de l'irritation ou des brûlures.
- **Ne stockez pas les batteries dans des zones qui peuvent atteindre ou excéder 40,5 °C (105 °F) (comme dans des cabanons extérieurs ou des bâtiments en métal pendant l'été).**
- **Chargez uniquement la batterie avec un chargeur recommandé par le fabricant.** L'utilisation de tout autre chargeur peut poser un risque de blessure ou d'incendie.
- **N'utilisez pas les chargeurs pour toute autre fin que la charge des batteries recommandées par le fabricant, sinon une électrocution pourrait se produire.**
- **N'exposez pas le chargeur à la pluie ou à la neige.**
- **Assurez-vous que le cordon du chargeur se trouve dans une zone où il ne sera pas endommagé.**
- **Il faut éviter l'utilisation de rallonges, sauf en cas de nécessité absolue.** Le mauvais usage d'une rallonge pourrait entraîner une électrocution.
- **Ne placez pas d'objets au-dessus du chargeur, car cela pourrait bloquer les fentes de ventilation et entraîner une surchauffe interne.**
- **N'utilisez pas le chargeur s'il a été soumis à un impact violent, a été échappé ou a été**

autrement endommagé. Amenez le chargeur à un centre de réparation autorisé.

- **Ne démontez pas le chargeur.** Si le chargeur doit être réparé, amenez-le à un centre de réparation autorisé.
- **Avant de nettoyer le chargeur, assurez-vous de le débrancher de toute source d'alimentation.** Vous réduirez ainsi le risque d'électrocution.
- **Ne branchez jamais deux chargeurs ensemble.**

⚠ AVERTISSEMENT:

N'ouvrez jamais la batterie pour quelque raison que ce soit. Si la batterie est endommagée ou fissurée, ne l'insérez pas dans le chargeur. Une batterie endommagée peut causer une électrocution. Assurez-vous d'éliminer toutes les batteries à un centre de service, à des fins de recyclage.

⚠ AVERTISSEMENT:

Ne brûlez pas les batteries et ne les exposez pas à une chaleur extrême, car elles pourraient exploser.

⚠ AVERTISSEMENT:

Empêchez tout liquide d'entrer dans le chargeur, car une électrocution pourrait en découler.

⚠ AVERTISSEMENT:

Danger d'électrocution. Ne touchez pas les bornes de charge et ne laissez pas des objets conducteurs entrer en contact avec elles. Une électrocution pourrait s'ensuivre.

ENTRETIEN DE L'OUTIL

- **N'utilisez que des accessoires recommandés par le fabricant pour votre modèle d'outil.**
- **L'utilisation de pièces non autorisées ou le non-respect des instructions d'entretien pourrait causer un risque de blessure.**
- **L'outil ne doit être réparé que par du personnel qualifié.**

UTILISATION

- **N'enfoncez pas d'attaches près du bord de la pièce.** La pièce risque de se fendre, de faire ricocher l'attache et de blesser l'opérateur ou une autre personne.

- Ne déplacez pas l'outil avec le doigt sur la détente. Cela pourrait causer un déclenchement accidentel. Le choix de la méthode de déclenchement est important. Consultez le manuel pour connaître les différentes méthodes de déclenchement.
- Dans le cadre d'une utilisation normale, l'outil aura du recul immédiatement après avoir enfoncé une attache. C'est une fonction normale de l'outil. Ne tentez pas d'empêcher le recul en retenant l'outil contre l'ouvrage. La restriction du recul pourrait causer l'éjection d'une seconde attache. Tenez fermement la poignée et laissez l'outil faire le travail. Ne pas tenir compte de cette mise en garde pourrait entraîner des blessures graves.
- N'enfonchez pas d'attaches sur d'autres attaches ou avec l'outil à un angle trop aigu. Ceci pourrait causer le ricochet des attaches et provoquer des blessures.
- N'actionnez pas l'outil à moins de vouloir enfoncer une attache dans la pièce. Utilisez toujours l'outil avec précaution :
 - ◆ Respectez votre outil en tant qu'instrument de travail.
 - ◆ Évitez de jouer avec.
 - ◆ N'appuyez jamais sur la détente à moins que l'embout ne soit dirigé vers l'ouvrage.
 - ◆ Gardez les autres à une distance sécuritaire de l'outil lorsque vous l'utilisez. Une activation accidentelle pourrait se produire et entraîner des blessures.

DÉBALLAGE

- Cet outil a été expédié entièrement assemblé.
- Retirez soigneusement l'outil et les accessoires de la boîte.
- Inspectez attentivement l'outil pour vous assurer qu'aucun bris ou dommage n'est survenu pendant l'expédition.
- Ne jetez pas l'emballage tant que vous n'avez pas inspecté attentivement l'outil et que vous ne l'avez pas utilisé de façon satisfaisante.
- En cas de pièces manquantes ou endommagées, veuillez composer le 1-888-669-5672.

⚠ AVERTISSEMENT:

En ca de pièces manquantes, n'utilisez pas l'outil avant de les avoir remplacées. Tout manquement peut entraîner des blessures graves.

⚠ AVERTISSEMENT:

Ne tentez pas de modifier cet outil ou de créer des accessoires dont l'utilisation n'est pas recommandée avec cet outil. Toute altération ou modification est considérée comme une utilisation abusive et risque de créer une situation dangereuse pouvant entraîner des blessures graves.

CARACTÉRISTIQUES

CHARGE DE LA BATTERIE	100V-240V, 50/60Hz
TENSION D'ENTRÉE	20V, 36Wh
VITESSE DE DÉCLENCHEMENT	30 clous/agrafes par minute
CAPACITÉ DU MAGASIN	100 clous/agrafes
CLOUS/AGRAFES PAR CHARGE	400
TEMPS DE CHARGE	30 min
POIDS DE L'OUTIL	3,12 kg
TYPES DE DISPOSITIFS DE FIXATION	Clous de finition de 18 GA et agrafes à couronne étroite de 5,7 mm (1/4 po) de 18 GA
ATTACHE DE LONGUEUR VARIÉE	Clous: 20 mm - 50 mm Agrafes: 19 mm - 40 mm

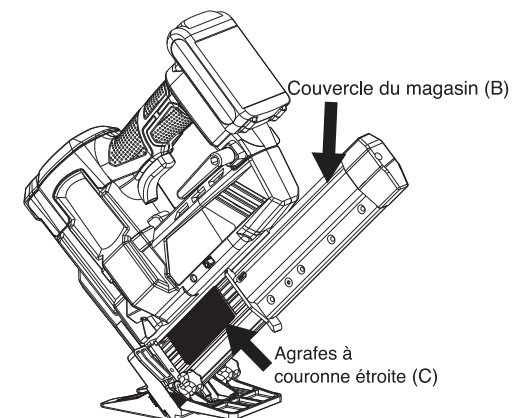
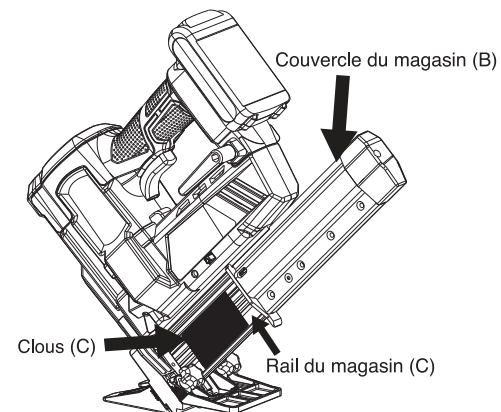
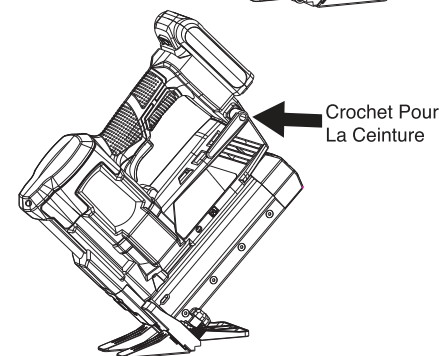
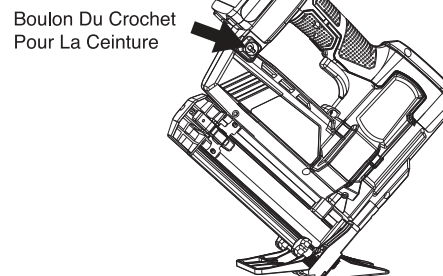
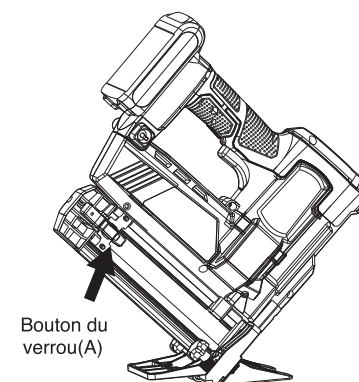
FONCTIONNALITÉS

- **TECHNOLOGIE À PUISSANCE ÉLEVÉE**
Offrant des vitesses de déclenchement rapides.
- **POIGNÉE ERGONOMIQUE**
Pour une utilisation confortable et une prise ferme.
- **INDICATEUR LED**
Pour avertir l'utilisateur d'un coincement de clous, d'une batterie faible, d'un magasin vide et surchauffer.
- **LAMPE DE TRAVAIL LED**
Aidant à éclairer la surface de travail.
- **ACCÈS FACILE AVANT**
Pour la compensation de jame.
- **MOLETTE D'AJUSTEMENT DE PROFONDEUR**
Pour contrôler la profondeur d'enfoncement du dispositif de fixation.
- **MODE DE DÉCLENCHEMENT À DOUBLE ACTION RÉGLABLE**
Permite fácilmente para disparo individual o en secuencia.
- **CROCHET POUR LA CEINTURE**
- **BATTERIE AU LITHIUM-ION**

UTILISATION

UTILISATION DU CROCHET DE CEINTURE

1. Utilisez un tournevis pour desserrer le boulon du crochet pour la ceinture en le faisant tourner dans le sens antihoraire.
2. Faites tourner le crochet pour la ceinture jusqu'à la position souhaitée.
3. Utilisez le tournevis pour serrer le boulon du crochet pour la ceinture et verrouiller ce dernier en place.



CHARGEMENT DES ATTACHES

1. Appuyez sur le bouton du verrou (A). Tirez le couvercle du magasin vers l'arrière (B).
2. Insérez un bâtonnet d'attaches dans le rail du magasin (C).
 - ◆ Pour les clous de brad, les extrémités pointues des attaches reposent sur le bord inférieur du magasin lors du chargement.
 - ◆ Pour les agrafes, la tête des agrafes reposent sur le dessus du magasin.
3. Poussez le couvercle du magasin (B) vers l'avant jusqu'à ce que le bouton du verrou se soulève.

⚠ AVERTISSEMENT:

L'outil peut se déclencher lorsqu'il est connecté à la source d'alimentation. Connectez toujours l'outil à la source d'alimentation avant de charger les attaches afin d'éviter les blessures pouvant être causées par un cycle involontaire. Assurez-vous toujours que le magasin de l'outil est vide au début de chaque séance de travail et avant de le connecter à la source d'alimentation en air.

⚠ AVERTISSEMENT:

N'utilisez que les fixations recommandées pour une utilisation avec cet outil. L'utilisation de fixations qui ne sont pas conçues expressément pour cet outil par son fabricant peut entraîner des risques de blessures ou de dommages à l'outil.

⚠ AVERTISSEMENT:

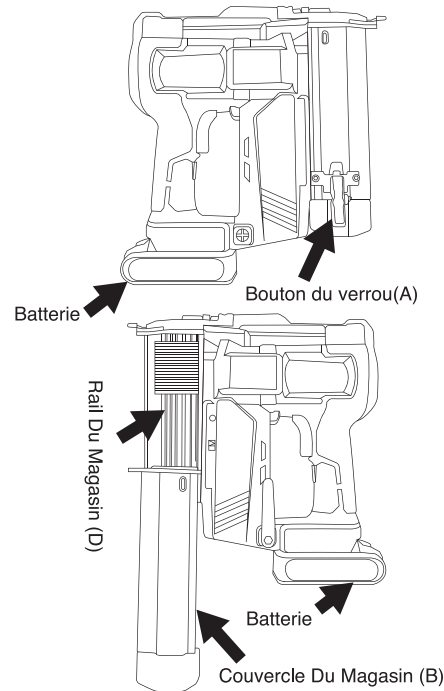
Ne pointez pas l'outil vers vous ou vers d'autres personnes lorsque vous chargez les attaches. Tout manquement peut entraîner des blessures graves.

⚠ AVERTISSEMENT:

Ne chargez jamais les attaches lorsque le contact ou la détente est activé. Cela pourrait entraîner de graves blessures.

DÉCHARGEMENT DES ATTACHES

1. Retirer la batterie.
2. Appuyez sur le bouton du verrou (A). Tirez le couvercle du magasin vers l'arrière (B).
3. Retirez toutes les attaches du rail du magasin (C).
4. Poussez le couvercle du magasin (B) vers l'avant jusqu'à ce que le bouton du verrou se soulève.



⚠ AVERTISSEMENT:

Déchargez toujours toutes les attaches avant de le ranger.

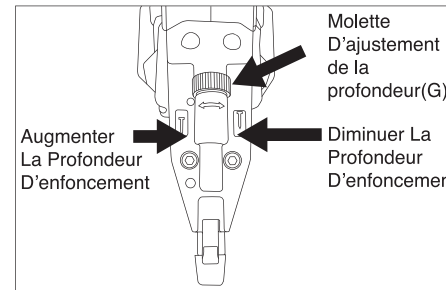
⚠ AVERTISSEMENT:

Déconnectez toujours la source d'alimentation en puissance avant le déchargement.

RÉGLAGE DE LA PROFONDEUR

La profondeur de clouage des attaches peut être ajustée. Pour régler la profondeur, utilisez le bouton de réglage de la profondeur (G) situé du côté droit de l'outil.

1. Pour augmenter la profondeur d'enfoncement du dispositif de fixation, faites tourner la molette d'ajustement de la profondeur dans le sens horaire en pointant l'outil loin de vous.
2. Poussez le commutateur de sélection de mode de déclenchement vers le bas pour choisir le déclenchement « à choc ». Vous pourrez ainsi actionner l'appareil en maintenant la gâchette enfoncée et en appuyant le nez de l'outil sur la pièce de travail aussi souvent que nécessaire.



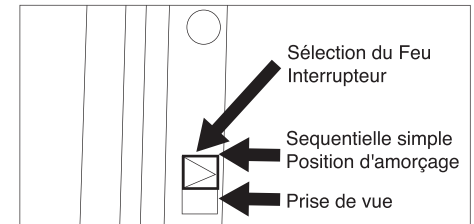
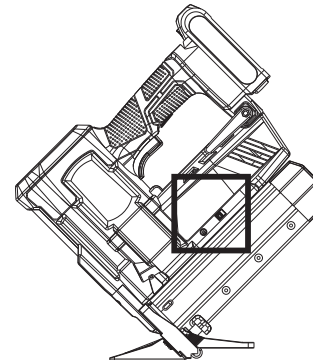
* La Profondeur D'Enfoncement est uniquement disponible avec le couvre-nez.

⚠ ATTENTION:

Il est recommandé de tester la profondeur de clouage sur une pièce inutilisée afin de déterminer la profondeur requise pour l'application.

SÉLECTION DES RÉGLAGES DE DÉCLENCHEMENT DE L'OUTIL

1. Poussez le commutateur de sélection de mode de déclenchement vers le haut pour choisir le déclenchement unique séquentiel. Ce mode exige que l'on appuie sur la gâchette chaque fois qu'on enfonce un dispositif de fixation. On peut actionner l'outil en appuyant l'élément de contact de travail contre la surface de travail, après avoir enfoncé la gâchette.
2. Poussez le commutateur de sélection de mode de déclenchement vers le bas pour choisir le déclenchement « à choc ». Vous pourrez ainsi actionner l'appareil en maintenant la gâchette enfoncée et en appuyant le nez de l'outil sur la pièce de travail aussi souvent que nécessaire.



⚠ AVERTISSEMENT:

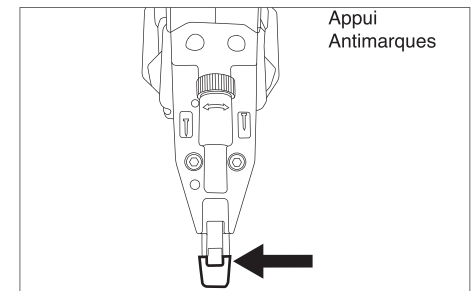
Toujours connaître le mode de fonctionnement de l'outil avant utilisation. Le défaut de connaître le mode de fonctionnement peut entraîner la mort ou des blessures graves.

⚠ AVERTISSEMENT:

Un outil qui fonctionne mal ne doit pas être utilisé. Ne pas actionner l'outil, à moins que l'outil ne soit placé fermement contre l'outil endroit.

ÉLÉMENT DE CONTACT AVEC L'OUVRAGE

Vérifiez le fonctionnement du mécanisme de déclenchement de l'élément de contact avant chaque utilisation. L'élément de contact doit se déplacer librement sans se coincer. Le ressort de l'élément de contact doit le ramener à sa position allongée. N'utilisez pas l'outil si le mécanisme de déclenchement de l'élément de contact ne fonctionne pas. Des blessures pourraient en résulter.



* La Profondeur D'Enfoncement est uniquement disponible avec le couvre-nez.

APPUI ANTIMARQUES

L'appui antimarques fixé à l'embout de l'outil contribue à prévenir les marques et les bosses lorsque vous travaillez des bois moins durs.

* La Profondeur D'Enfoncement est uniquement disponible avec le couvre-nez.

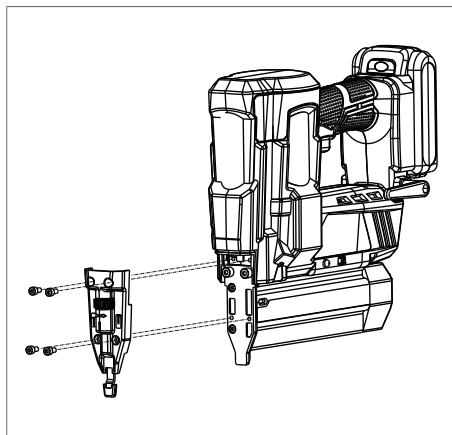
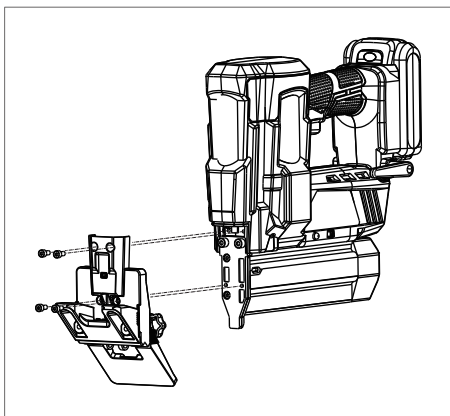
⚠ AVERTISSEMENT:

Déconnectez l'outil de la source d'alimentation en puissance avant de retirer ou de replacer l'appui antimarques. Tout manquement pourrait entraîner des blessures graves.

REPLACEMENT DU COUVERCLE DE LA TÊTE

L'outil est emballé avec un autre couvercle de tête ordinaire qui peut être utilisé pour transformer la cloueuse en cloueuse pour clous de finition et agrafeuse ordinaire.

1. Retirer la batterie.
2. Retirez les clous de l'outil. Autrement, le clous pourraient être éjectés par le devant de l'outil.
3. Retirez quatre boulons sur le devant de l'outil.
4. Retirez l'accessoire sol à 45°.
5. Attachez le couvre-nez en vissant quatre boulons.

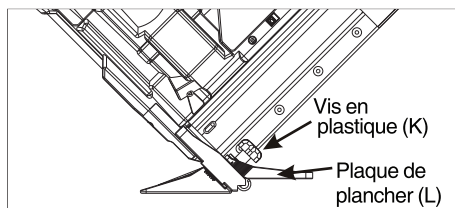


RÉGLAGE DE LA PLAQUE DE PLANCHER

Lorsque le couvercle de la tête pour revêtements de sol est réglé sur la cloueuse, la profondeur de la plaque de plancher est ajustable pour des planchers de bois dont l'épaisseur est de 0,95 cm, 1,58 cm ou 1,27 cm.

Pour régler la profondeur de la plaque de plancher, veuillez suivre les étapes suivantes :

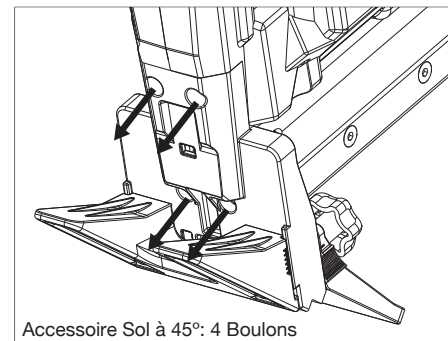
1. Retirer la batterie.
2. Desserrez la vis en plastique (K) des deux côtés de la plaque de plancher (L).
3. Glissez la plaque de plancher vers le haut ou vers le bas selon le revêtement de sol utilisé.
4. Serrez fermement les vis en plastique.
5. Assurez-vous que la profondeur réglée est appropriée pour le plancher de bois en déclenchant l'outil en direction des retailles du revêtement de sol en bois et vérifiez si le clou est placé convenablement.



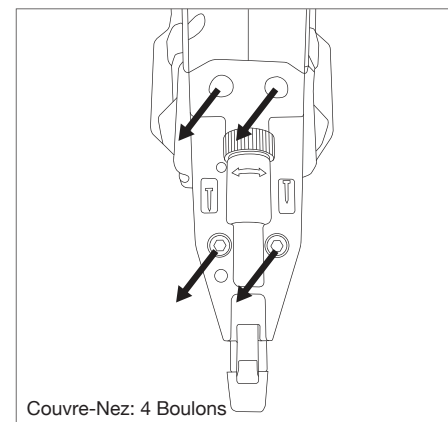
DÉGAGERLES BLOCAGES

Parfois, une attache se coince dans le mécanisme de déclenchement de l'outil, rendant celui-ci inutilisable. Pour retirer une attache coincée, suivez les étapes ci-dessous

1. Retirer la batterie.
2. Retirez les attaches du magasin.
3. Utilisez un clé pour desserrer quatre boulons et retirez le couvre-nez ou l'accessoire au sol à 45°.

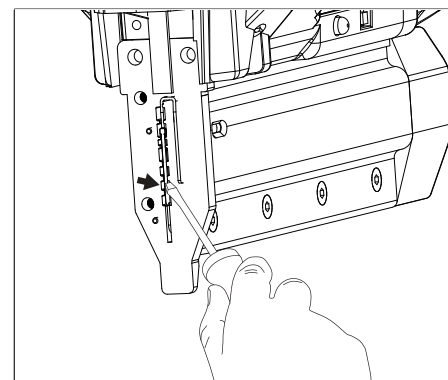


Accessoire Sol à 45°: 4 Boulons



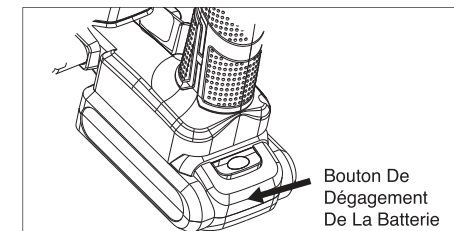
Couvre-Nez: 4 Boulons

4. Utilisez un tournevis plat pour retirer l'attache bloquée et repoussez la lame d'entraînement en place.



RETRAIT DE LA BATTERIE

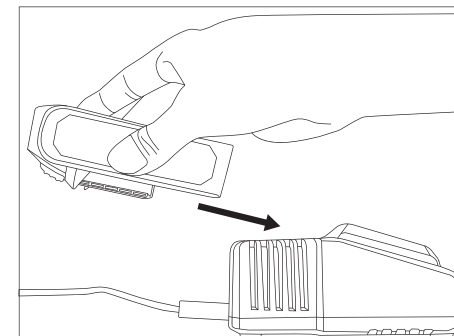
1. Appuyez sur le bouton de dégagement de la batterie.
2. Tirez sur la batterie pour la faire sortir du corps de la cloueuse/agrafeuse.



Bouton De Dégagement De La Batterie

CHARGE DE LA BATTERIE

1. Pour charger la batterie, alignez la fente de la batterie avec la fente du chargeur et faites-la glisser en place.
2. Lorsque la batterie se charge, le voyant indicateur de la batterie devrait passer du vert au rouge.
3. Lorsque le voyant indicateur passe au vert, la batterie devrait être entièrement chargée.



CHARGE D'UN BATTERIE CHAUD

Lorsque cet outil est utilisé continuellement, les piles du bloc chauffent. Si la batterie est chaude, laissez refroidir pendant 30 minutes avant d'essayer de le recharger. La surchauffe des piles ne se produit que lorsque l'outil est utilisé continuellement. Elle ne se produit pas dans des conditions d'utilisation normales. Voir les instructions de charge normale à la section "CHARGE DE LA BATTERIE". Si les piles ne se rechargent pas dans des conditions normales, les retourner, ainsi que le chargeur et le stand au centre de réparations agréé le plus proche pour une vérification électrique.

BATTERIE

Les batterie utilisées dans le bloc d'alimentation sont conçues pour une longue vie utile, sans problèmes. Toutefois, comme toutes les batterie, elles finiront par s'épuiser. Ne pas démonter le batterie ou essayer de remplacer le batterie. La manipulation de ces batterie, en particulier si l'on porte des bagues ou autres bijoux, peut causer des brûlures graves. Pour obtenir une vie utile maximum des batterie nous recommandons de :

- ◆ Retirer le batterie du chargeur dès qu'il est complètement chargé et prêt à l'emploi.
- ◆ Remiser le batterie dans un local où la température est inférieure à 27°C (80°F) et à l'abri de l'humidité.
- ◆ Remiser les blocs de batterie 30%-50% chargés.
- ◆ Tous les six mois de remisage, charger normalement le batterie.

RETRAIT ET PRÉPARATION DU BATTERIES POUR LE RECYCLAGE



Pour préserver les ressources naturelles, les bloc-piles doivent être recyclés ou éliminés selon une méthode appropriée.

Ce produit utilise des batterie, au lithium-ion. Les réglementations locales ou gouvernementales peuvent interdire de jeter les

batterie, au lithium-ion dans les ordures ménagères. Consulter les autorités locales compétentes pour les options de recyclage et/ou l'élimination. Consult your local waste authority

ENTRETIEN

▲ AVERTISSEMENT:

Chaque fois qu'une inspection, qu'un entretien ou qu'un nettoyage est effectué déconnectez l'outil de la source d'alimentation en puissance videz complètement le magasin.

DÉPANNAGE

▲ AVERTISSEMENT:

Cessez immédiatement d'utiliser l'outil si l'un des problèmes suivants survient. Cela pourrait entraîner des blessures graves. Les réparations et les remplacements doivent être effectués par du personnel qualifié ou un centre de service autorisé.

NETTOYAGE DU CLOUS CANAL

Des problèmes avec l'enfoncement de clous ou le cycle des clous lors de l'enfoncement peuvent être causés par des résidus de colle provenant des bandes de clous. Dans ce cas, nettoyez la zone autour du mécanisme d'entraînement.

- Retirez le batterie de l'outil.
- Faites glisser le couvercle du magasin vers le bas pour retirer les clous et exposer le canal à clous.
- Appliquez une petite quantité d'huile à l'outil à air sur un chiffon propre et essuyez le canal à clous, jusqu'à ce que toutes les traces de colle soient éliminées.
- Réinstallez les clous dans le magasin et fermez son couvercle.

FONCTIONNEMENT PAR TEMPS FROID

Lorsque vous utilisez l'outil à des températures au-dessous de 0 °C :

1. Avant d'utiliser l'outil, tenez-le au chaud autant que possible.
2. Appuyez sur la gâchette cinq à six fois sur une pièce de matériel qui ne servira pas.

NETTOYAGE

Évitez d'utiliser des solvants pour nettoyer les pièces de plastique. La plupart des plastiques risquent d'être endommagés par l'emploi des différents types de solvants commerciaux. Utilisez un chiffon propre pour retirer la saleté, la poussière, l'huile, la graisse, etc.

PROBLÈME	CAUSE POSSIBLE	MESURES À PRENDRE
L'outil ne s'allume pas (les voyants DEL ne s'allument pas).	<ul style="list-style-type: none"> ● Les composants électroniques internes de l'outil ne se sont pas réinitialisés. ● La batterie est faible ou n'est pas chargée. ● La batterie est endommagée. ● L'élément de contact de travail est verrouillé en place. ● Les bornes de la batterie sont sales. ● Des composants électroniques sont endommagés. 	<ul style="list-style-type: none"> ● Retirez la batterie de l'outil, attendez trois secondes et insérez-la à nouveau. ● Chargez la batterie. ● Remplacez la batterie. ● Déverrouillez l'élément de contact de travail. ● Nettoyer les bornes de la batterie ● Consultez un centre d'entretien autorisé.
L'outil ne se déclenche pas (mais les voyants DEL s'allument).	<ul style="list-style-type: none"> ● L'élément de contact de travail n'est pas enfoncé. ● L'élément de contact de travail est coincé. ● Des composants électroniques sont endommagés. 	<ul style="list-style-type: none"> ● Si l'outil est au réglage de déclenchement unique, relâchez la gâchette ou l'élément de contact de travail. Puis, essayez de déclencher l'outil à nouveau. ● Déverrouillez l'élément de contact de travail. ● Consultez un centre d'entretien autorisé.
L'outil ne s'active pas (le voyant DEL est rouge).	<ul style="list-style-type: none"> ● La charge de la batterie est faible. ● La batterie est chaude 	<ul style="list-style-type: none"> ● Chargez ou remplacez la batterie. ● Laisser refroidir l'outil
L'outil s'active, mais aucun dispositif de fixation n'est enfoncé.	<ul style="list-style-type: none"> ● Un dispositif de fixation est coincé dans l'outil. ● Il n'y a pas de clous dans le magasin. ● Un mauvais dispositif de fixation a été chargé. ● Il y a des débris dans le nez. ● Il y a des débris dans le magasin. ● Le magasin est usé. Le ressort poussoir est endommagé. 	<ul style="list-style-type: none"> ● Retirez la batterie de l'outil et éliminez le coincement de l'outil. Ensuite, poussez la lame d'entraînement vers l'arrière et insérez à nouveau la batterie. ● Ajoutez des dispositifs de fixation dans le magasin. ● Insérez les dispositifs de fixation recommandés par le fabricant. ● Nettoyez le nez avec de l'huile à outil pneumatique et un chiffon propre. ● Nettoyez le magasin avec de l'huile à outil pneumatique et un chiffon propre. ● Consultez un centre d'entretien autorisé.
L'outil fonctionne, mais n'enfonce pas entièrement le dispositif de fixation.	<ul style="list-style-type: none"> ● La batterie est faible ou est endommagée. ● Le réglage de la profondeur est trop faible. ● L'outil n'est pas fermement appuyé contre la pièce de travail. ● Le bout de la lame d'entraînement est endommagé ou usé. 	<ul style="list-style-type: none"> ● Chargez ou remplacez la batterie. ● Faites tourner la molette d'ajustement de la profondeur vers le réglage plus profond. ● Appuyez plus fermement sur la pièce de travail. ● Choisissez un matériel et un dispositif de fixation plus appropriés pour votre application.
Un dispositif de fixation est coincé.	<ul style="list-style-type: none"> ● Un mauvais dispositif de fixation est chargé dans l'outil. ● La charge de la batterie est faible ou la batterie est endommagée. ● Il y a des débris dans le nez. ● Il y a des débris dans le magasin. ● Le magasin est usé. ● Le ressort poussoir est endommagé ou usé. 	<ul style="list-style-type: none"> ● Chargez des dispositifs de fixation recommandés par le fabricant. ● Chargez ou remplacez la batterie. ● Nettoyez le nez avec de l'huile à outil pneumatique et un chiffon propre. ● Nettoyez le magasin avec de l'huile à outil pneumatique et un chiffon propre. ● Consultez un centre d'entretien autorisé. ● Consultez un centre d'entretien autorisé.

▲ AVERTISSEMENT:

N'utilisez que des pièces autorisées par Freeman pour la réparation. Si vous avez des questions, composez le 1-888-669-5672 ou allez sur notre site Web au <http://www.freemantools.com>

GARANTIES DES PRODUITS PGP INC.**Garantie de 1 an pour outil professionnel**

La garantie limitée pour outil Freeman s'applique exclusivement à l'acheteur original du produit Freeman, commence à la date d'achat. Pendant la période de garantie, Prime Global Products, Inc. (PGP) garantit expressément que le produit Freeman est exempt de défaut de matériaux et de fabrication, sous réserve des exceptions et limitations contenues dans les présentes. PGP pourra à son gré, réparer, remplacer, ou offrir un remboursement complet pour un produit Freeman présentant un défaut de matériaux ou de fabrication.

UN REÇU D'ACHAT DATÉ OU UNE PREUVE D'ACHAT DE L'ACHETEUR AU DÉTAIL ORIGINAL EST REQUIS POUR FAIRE UNE RÉCLAMATION DE GARANTIE. L'enregistrement de la garantie est également nécessaire et peut être fait par notre enregistrement de produits en ligne au www.freemantools.com. Sélectionnez l'onglet SOUTIEN, sélectionnez l'onglet ENREGISTREMENT DU PRODUIT. Pour procéder à une réclamation de garantie, l'acheteur original doit retourner la cloueuse pneumatique Freeman, port payé et assuré, avec preuve d'achat à PGP ou l'un de ses centres de service autorisés. Pour toute question, veuillez composer le 1-888-669-5672. Aucuns frais, autre que les frais de poste et d'assurance, ne seront exigés pour les réparations couvertes par cette garantie.

Exclusions de la garantie

Ces garanties ne sont pas applicables lorsque:

- Des réparations ou modifications ont été apportées, ou tentées, par un tiers, ou une utilisation de pièces ou d'accessoires non autorisés ou non conformes a eu lieu.
- Des réparations sont nécessaires en raison de l'usure normale.
- La cloueuse pneumatique a fait l'objet d'abus, a été utilisée de façon non appropriée, incorrectement entretenue ou maniée, incluant : l'incapacité à utiliser de l'air comprimé qui soit propre, sec et régulé à la pression recommandée; les accidents causés par l'utilisation du produit Freeman après une défaillance partielle.
- Le produit Freeman est utilisé à des fins commerciales pour les chaînes de montage ou les lignes de production. Le produit Freeman est destiné à un usage personnel et ces garanties ne couvrent pas de telles utilisations commerciales.

AUCUNE GARANTIE, VERBALE OU ÉCRITE, EXPLICITE OU IMPLICITE, AUTRE QUE LES GARANTIES INDIQUÉES CI-DESSUS N'EST FAITE EN CE QUI CONCERNE CE PRODUIT FREEMAN. TOUTE GARANTIE IMPLICITE SERA LIMITÉE À LA PÉRIODE DE GARANTIE DÉFINIE CI-DESSUS. CERTAINES JURIDICTIONS NE PERMETTENT PAS LA LIMITATION DE LA DURÉE D'UNE GARANTIE IMPLICITE, AUQUEL CAS LES CLAUSES CI-DESSUS NE VOUS CONCERNENT PEUT-ÊTRE PAS. VOS RECOURS SONT UNIQUEMENT ET EXCLUSIVEMENT COMME INDIQUÉS CI-DESSUS. PGP NE SERA EN AUCUN CAS RESPONSABLE DES DOMMAGES DIRECTS, INDIRECTS, CONSÉCUTIFS OU ACCESSOIRES. CERTAINES JURIDICTIONS NE PERMETTANT PAS L'EXCLUSION OU LA LIMITATION DES DOMMAGES DIRECTS OU INDIRECTS, CES LIMITATIONS OU EXCLUSIONS PEUVENT NE PAS S'APPLIQUER A VOUS. EN AUCUN CAS, QUE CE SOIT EN RAISON D'UNE RUPTURE DE CONTRAT, LA VIOLATION D'UNE GARANTIE, UN DÉLIT CIVIL (V COMPRIS LA NEGLIGENCE) OU AUTRE, LA RESPONSABILITÉ DE PGP NE DEVRA EXCÉDER LE PRIX DU PRODUIT CONCERNÉ PAR LA RÉCLAMATION OU LA RESPONSABILITÉ. TOUTE RESPONSABILITÉ RELIÉE À L'UTILISATION DE CE PRODUIT SE TERMINE À L'EXPIRATION DE LA PÉRIODE DE GARANTIE SPÉCIFIÉE CI-DESSUS. AUCUN EMPLOYÉ OU REPRÉSENTANT DE PGP, OU TOUT DISTRIBUTEUR OU REVENDEUR N'EST AUTORISÉ À PROCÉDER À TOUT CHANGEMENT OU MODIFICATION DE LA PRÉSENTE GARANTIE.

Ces garanties vous accordent des droits légaux spécifiques. Vous pouvez également avoir d'autres droits qui varient d'une juridiction à l'autre.

FREEMAN

- [HTTP://WWW.FREEMANTOOLS.COM](http://www.freemantools.com)
- 1-888-669-5672
- PRIME GLOBAL PRODUCTS, INC.